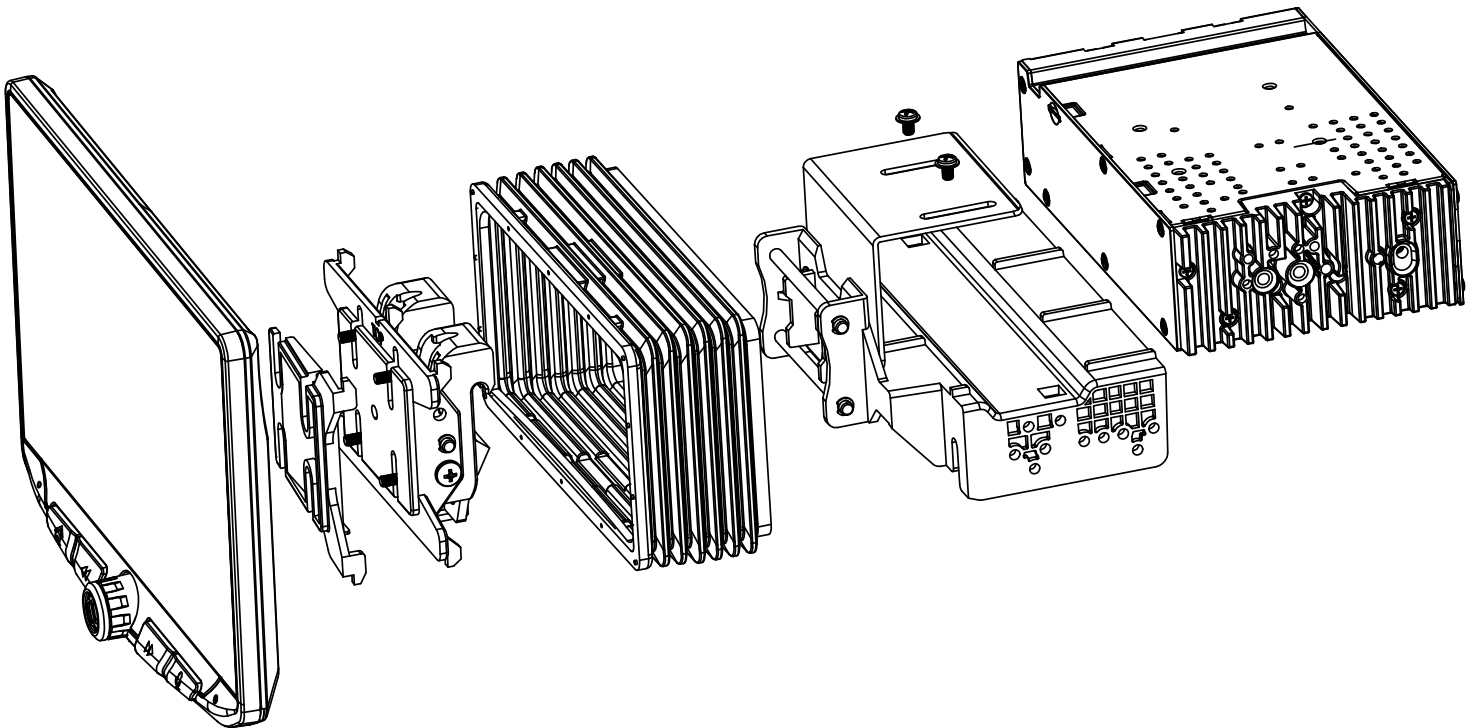


INSTALLATION GUIDE

10" MULTIMEDIA RECEIVER
MODEL NUMBER: AERA10D





PRECAUTIONS

Installation of this product requires technical skill and experience. It is recommended to have it professionally installed by an authorized Aerpro/Connects2 Dealer.

Read entire instructions thoroughly before starting.

Disconnect the vehicle's negative battery cable before making any wire connections.

Protect all vehicle surfaces with tape or plastic

Do not install components in any location that will hinder vehicle operation, such as steering wheel, gearshift, air bags, hazard switch.

All wiring should be secured away from sharp edges and moving parts.

**Visit aerpro.com for
User Guide | Install Guides | Updates | Tech Tips**

TECHNICAL ASSISTANCE:

If you need assistance setting up or using your Aerpro product now or in the future, call Aerpro Support. Australia. Mon-Fri 9am – 5pm AEST
TEL: 03 – 8587 8898 FAX: 03 – 8587 8866

AGREEMENT: End user agrees to use this product in compliance with the instructions and terms of use and with all State and Federal laws. AERPRO provides instructions and safety warnings with respect to this product and disclaims all liability for any use not in conjunction with those instructions or other misuse of its product. If you do not agree, please discontinue use and contact AERPRO. This product is intended for off-road use and passenger use only.



AERA10D

INSTALLATION GUIDE

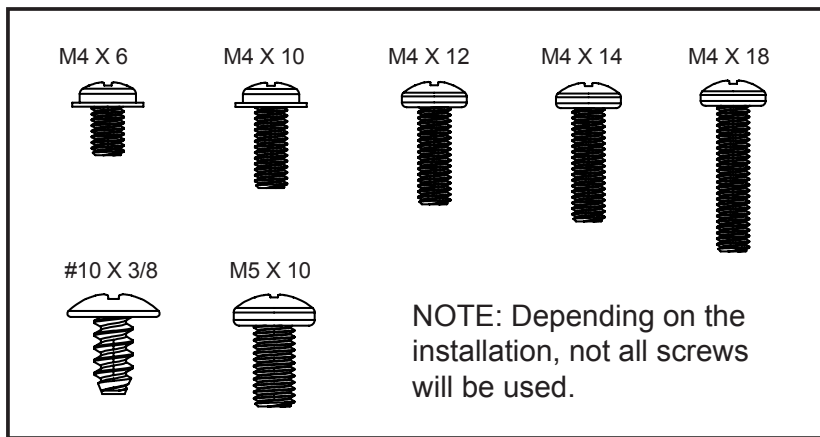
CONTENTS

Contents.....	3
Parts List.....	4
Hardware Guide.....	5
Pre-Assembly.....	6
Display Assembly.....	7
Mounting Options.....	7
Double DIN Dash Kit Mounting.....	8
Double DIN Sub-Dash Kit Mounting.....	10
Double DIN Factory Bracket Mounting.....	12
Single DIN Dash Kit Mounting.....	14
Final Assembly.....	16
Wiring & Connections.....	17
Dimensions.....	21
Troubleshooting.....	22
Upgrades/Options.....	23

Parts List

QTY	DESCRIPTION
1	Touch Panel Display
1	Radio Module
Mounting Brackets / Hardware	
1	Plastic Dash Mounting Bracket
1	Display Mounting Clamp
1	Metal Mounting Bracket
1	Horizontal Display Angle Plate
1	Rubber Boot
4	M4 X 6 Screw
4	M4 X 10 Screw
4	M4 X 12 Screw
2	M4 X 14 Screw
2	M4 x 18 Screw
6	M5 x 10 Screw
6	#10 x 3/8 Screw
2	Backstrap
Cables / Harnesses	
1	8 Pin Display Power Harness - 18in
1	LVDS Display Video Cable - 18in
1	16 Pin Power / Speaker Harness
1	24 Pin AV / Rear Camera Harness
1	10 Pin Multi Camera Harness
1	6 Pin SWI / IR Harness
1	4 Pin Mic / Camera Audio Harness
1	External Microphone
1	GPS Antenna & Mounting Plate

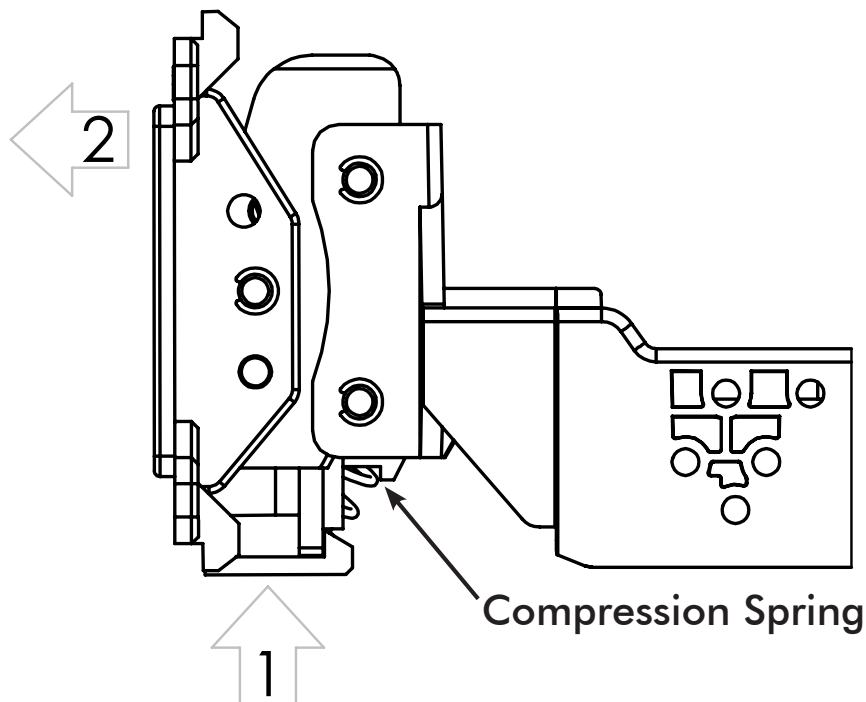
Hardware Guide



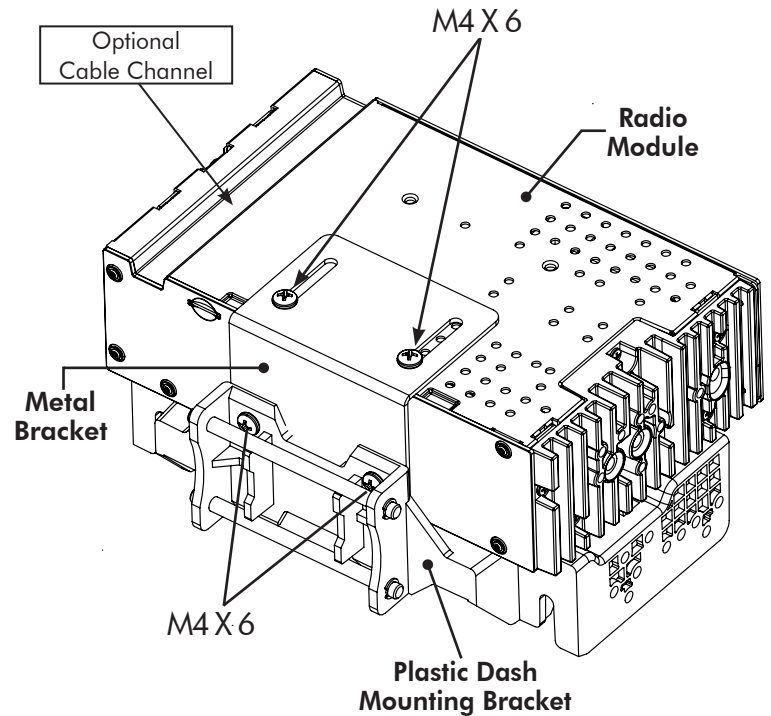
Note: The 2 Backstrap (SE-1003) can be used in some applications to add additional support or used in custom installations. The backstrap may mount to the sides of the radio chassis using the provided screws in the existing mounting locations or can be mounted directly to the Plastic Dash Mounting Bracket.

1

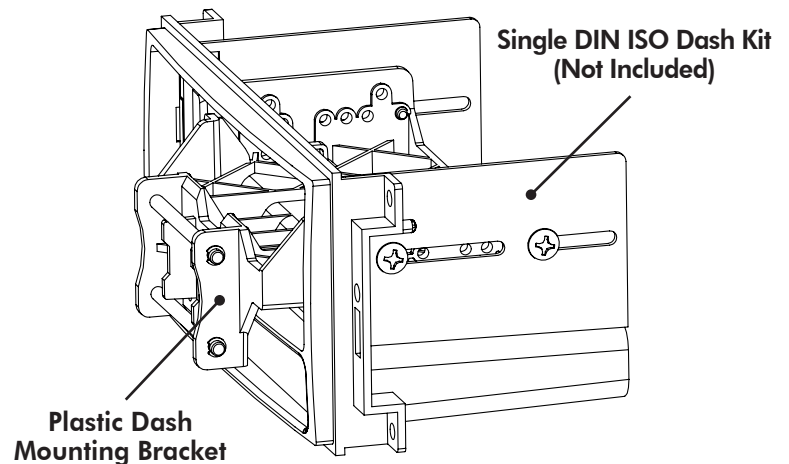
Remove the clamp assembly from the plastic mounting bracket by pushing up from compression spring side (1) and swing out to unhook top (2).



Double DIN Applications: Attach the *Metal Bracket* to the *Plastic Dash Mounting Bracket* using M4 X 6 screws. Attach metal bracket and plastic dash mounting bracket assembly to the *Radio Module* using M4 X 6 screws.



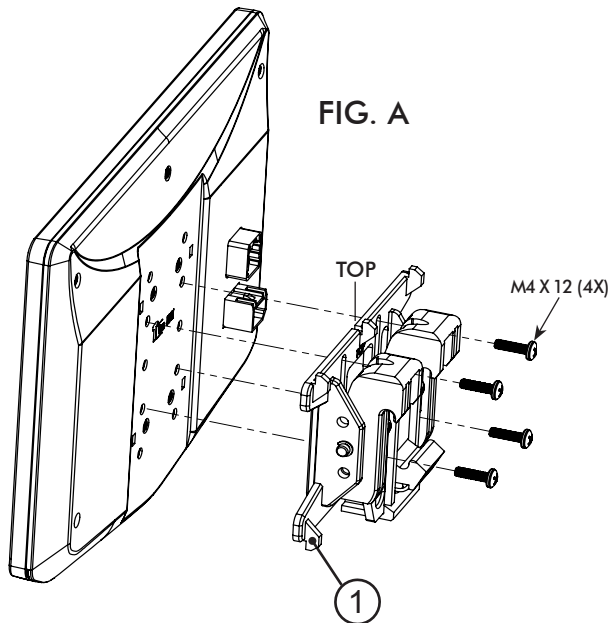
Single DIN Applications: For Single DIN installations, the *Plastic Dash Mounting Bracket* will be mounted in the dash kit and the *Radio Module* will be mounted remotely. Before beginning the installation, determine where the *Radio Module* will be installed and make sure the Display Cables are long enough. Longer, 1.5 Metre cables are available (SE-1501 & SE-1502).



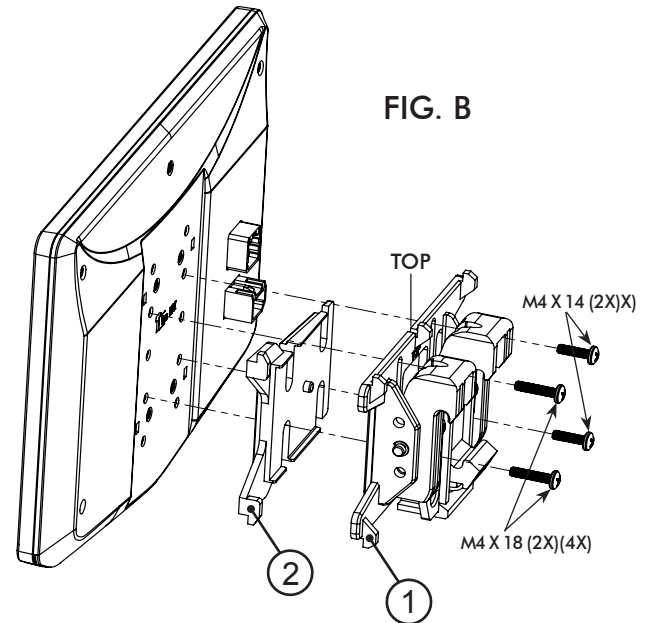
3 Display Assembly

The display can be installed Flat or with a Horizontal Angle towards the driver. For flat mounting, attach the Clamp Assembly (1) to the display using M4 X 14 screws (FIG. A). If a horizontal angle is desired, insert the Angle Plate (2) in between the clamp and display and replace 2 of the M4 X 14 screws with longer M4 X 18 screws on the thicker side of the angle plate (FIG. B). Center the bracket on the back of the display as a starting point, and if needed you can adjust up or down.

No Horizontal Angle



With Horizontal Angle



Always ensure TOP indicator on the Clamp Assembly is facing UP.

Multiple Mounting Options

AERA10D can be configured for different mounting applications:

- 4A Using a Double DIN Dash Kit (PAGE 8)
- 4B Using a Double DIN Sub-Dash Kit (PAGE 10)
- 4C Using a Double DIN Factory Radio Mounting Brackets (PAGE 12)
- 4D Using a Single DIN ISO Mountable Dash Kit, relocating Radio Module (PAGE 14)

Custom Mounting Applications.

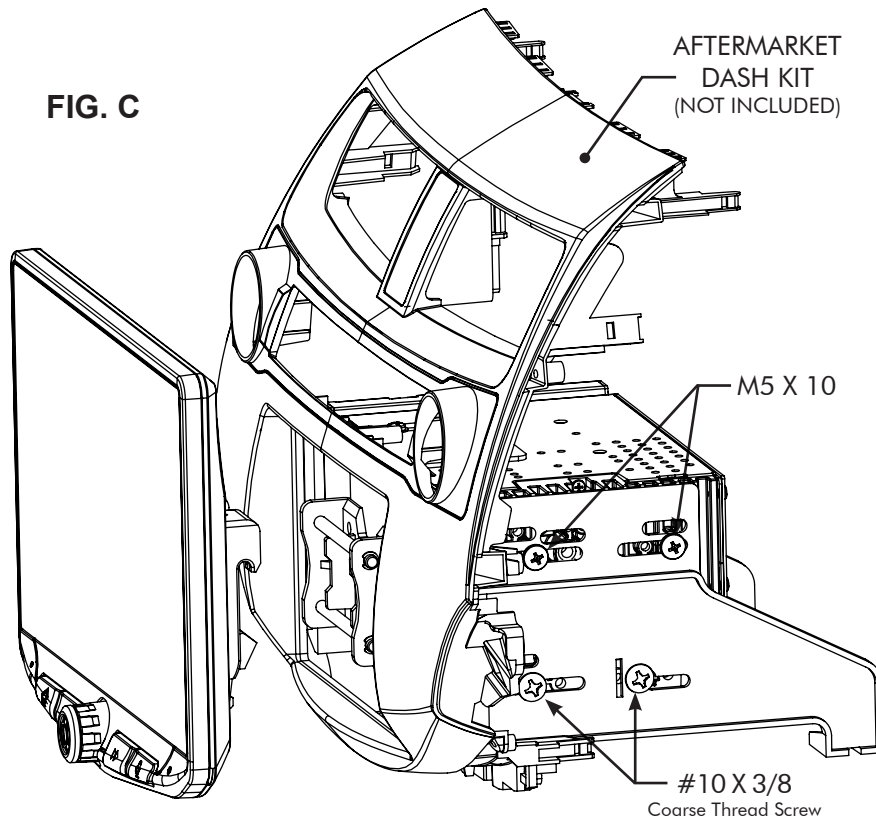
See Aerpro website for TECH TIPS on vehicle specific installations.

Using a Double DIN Dash Kit:

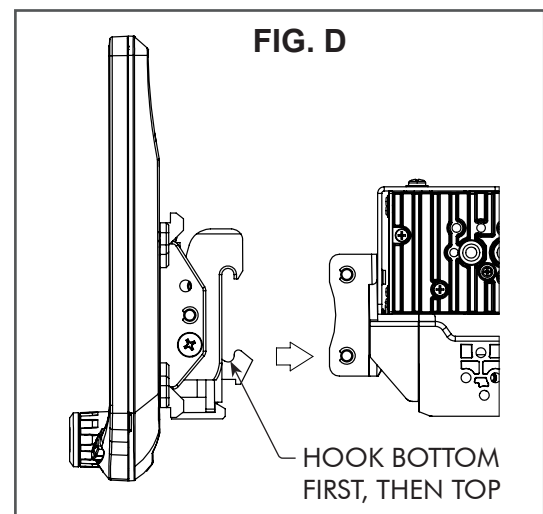
Radio chassis mounts to the brackets attached to the kit main frame

Display Adjustment & Mounting:

1. Install the dash kit side brackets to the main frame.
2. Making sure to use all 8 screws, loosely attach the radio module & mounting bracket assembly to the side kit brackets (**FIG. C**).
 - a. (4x) #10 X 3/8 screws for the plastic mounting bracket locations
 - b. (4x) M5 X 10 or (4x) M4 X 10 screws for the radio module locations (use any combination of screws to locate the radio in the best position)



3. Attach the display to the bracket assembly by hooking bottom spring hook and then pushing up and hooking top hooks. (**FIG. D**)



NOTE: BOOT AND DASH KIT NOT SHOWN

4. Determine the desired position of the display:
 - a. Display can be vertical or tilted up (**FIG. E**)
 - b. Display can slide up or down (Page 7)
 - c. Display can be tilted horizontally (Page 7 – **FIG. B**)

Note: There are multiple mounting holes on the mounting bracket to allow adjusting the mounting depth. You may drill additional holes in the mounting bracket and/or the dash kit brackets to align the display in the best position and ensure you can use all 8 mounting screws.

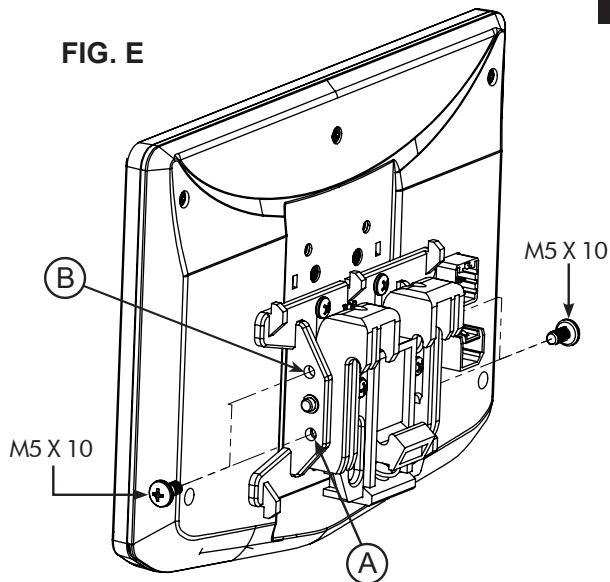
5. Once in the desired position, tighten screws to the radio chassis (top) and mounting bracket assembly (bottom).

Note: If the display prevents the factory dash panel(s) from being installed last, do not push the display all the way up against the dash kit. Leave enough bottom gap as the display's bottom edge rotates towards the dash kit.

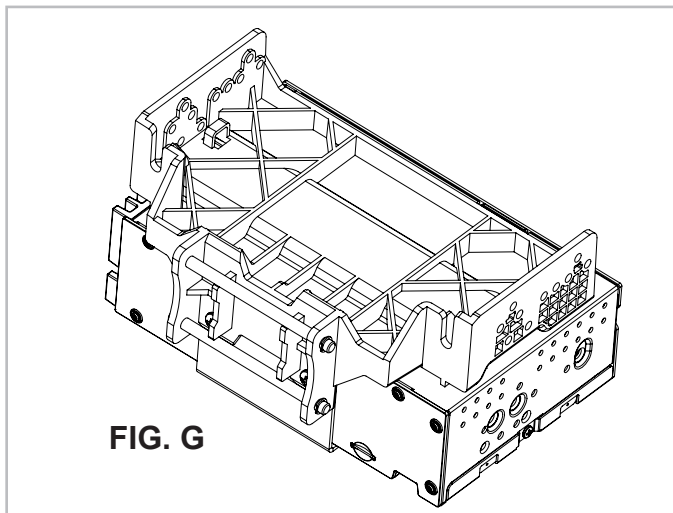
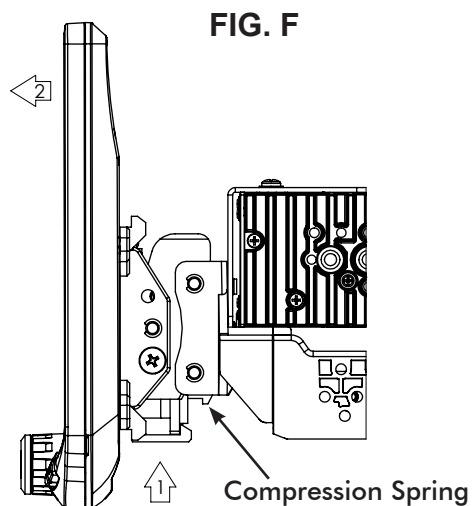
6. Remove the display from the bracket assembly by pushing up from compression spring side (1) and swing out to unhook top (2). (**FIG. F**)

Note: If there is a depth issue with the radio module in the top position, move it to the bottom location by inverting the mounting bracket assembly. (**FIG. G**)

PROCEED TO STEP 5
on Page 16



VERTICAL TILT: Use **Hole A** for no vertical tilt or **Hole B** for 8 degrees of vertical tilt. Insert a M5 X 10 on each side of the clamp assembly at desired tilt.



Using a Double DIN Dash Kit:

Radio chassis mounts to the kit brackets in the sub-dash, not to the kit main frame

Display Adjustment & Mounting:

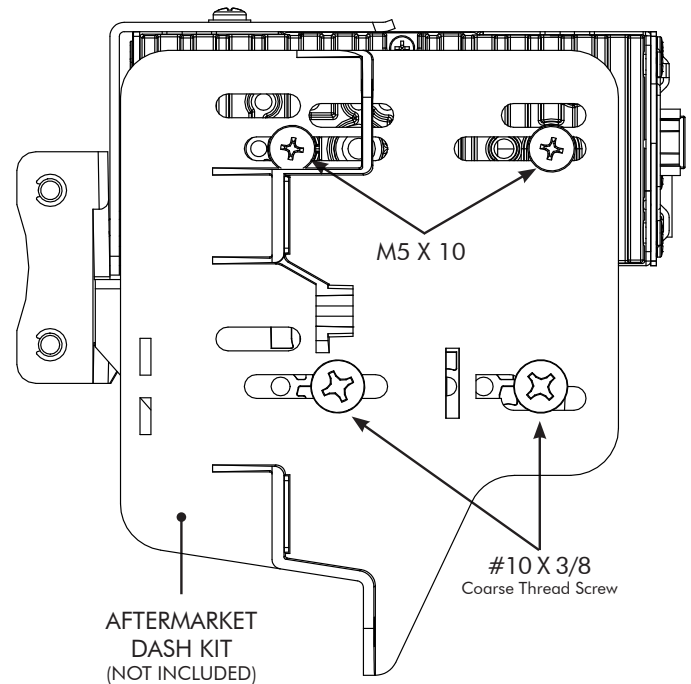
1. Use all 8 kit mounting screws to attach the radio module & plastic mounting bracket assembly to the kit brackets at the front most location (not to exceed the front of the kit bracket). (FIG. H)
 - a. (4x) #10 X 3/8 screws for the bottom locations
 - b. (4x) M5 X 10 or (4x) M4 X 10 screws for the radio module locations (use any combination of screws to locate the radio in the best position)

Note: There are multiple mounting holes on the plastic mounting bracket to allow adjustment of the mounting depth. You may drill additional holes in the mounting bracket and/or the dash kit brackets to align the display in the best position and ensure you can use all 8 mounting screws.

2. Install the assembly (from Step 1) into the vehicle (using factory screws/bolts).

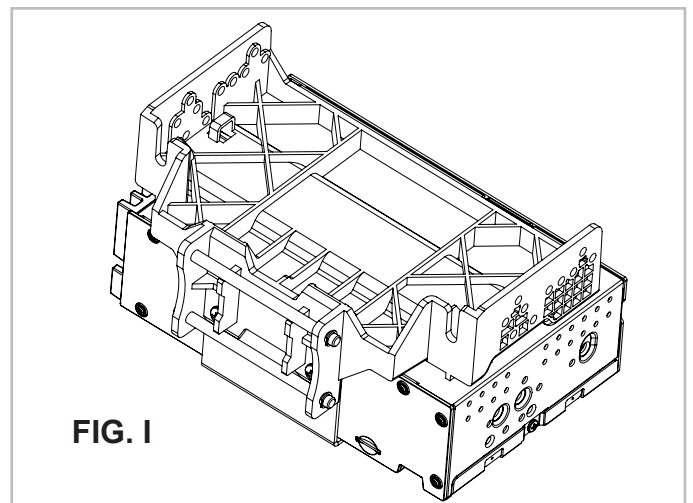
3. Install the dash kit main frame and any factory panels that would affect the display installation.

FIG. H



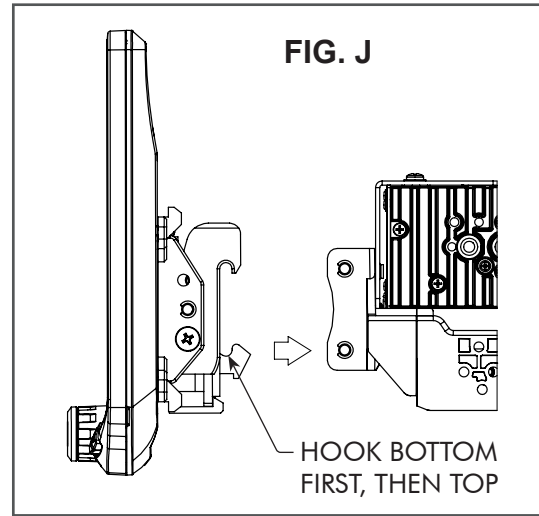
Note: If there is a depth issue with the radio module in the top position, move it to the bottom location by inverting the mounting bracket assembly. (FIG. I)

FIG. I



4. Attach the display to the mounting bracket assembly by hooking bottom spring hook and then pushing up and hooking top hooks. (FIG. J)

5. Determine the desired position of the display:
- a. Display can be vertical or tilted up (FIG. K)
 - b. Display can slide up or down (Page 7)
 - c. Display can be tilted horizontally (Page 7 – FIG. B)



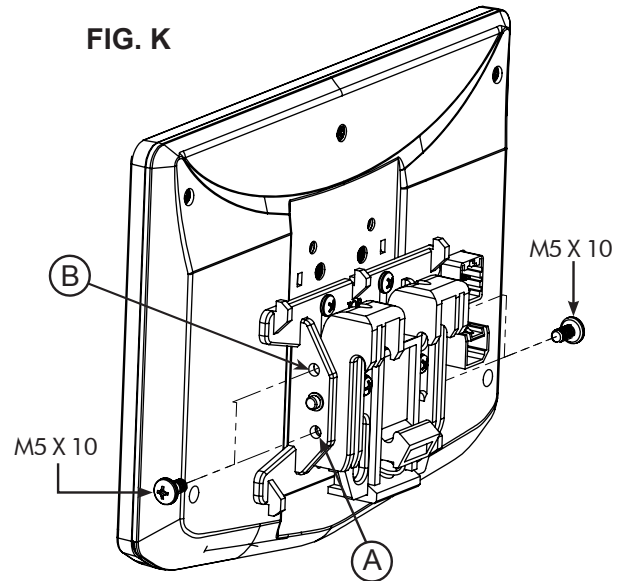
NOTE: BOOT AND DASH KIT NOT SHOWN

6. Determine the final front to back position by measuring the shortest distance between the display to the dash kit main frame or the factory dash and subtract that distance/measurement by ~6.35mm

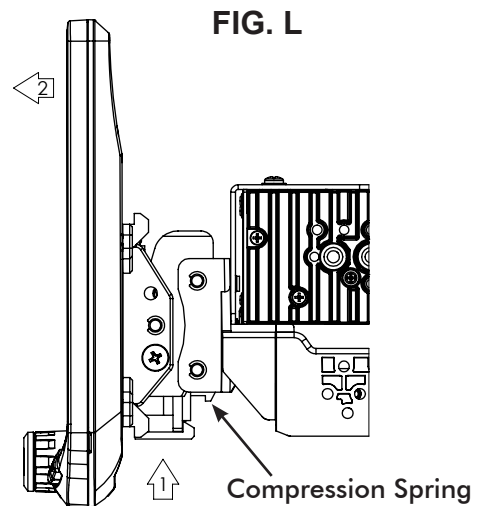
Note: Do not push the display all the way up against the dash. Leave enough bottom gap as the display's bottom edge rotates towards the dash.

7. Remove the display from the bracket assembly by pushing up from compression spring side (1) and swing out to unhook top (2). (FIG. L)

8. Remove the radio module & mounting bracket assembly from the vehicle. Using the measurement taken in step 6, slide the radio module & bracket assembly back to that distance.



VERTICAL TILT: Use **Hole A** for no vertical tilt or **Hole B** for 8 degrees of vertical tilt. Insert a M5 X 10 on each side of the clamp assembly at desired tilt.



**PROCEED TO STEP 5
on Page 16**

Using Factory Radio Brackets:

Radio chassis mounts to the factory brackets in the sub-dash

Display Adjustment & Mounting:

1. Use all 8 kit mounting screws to attach the radio module & plastic mounting bracket assembly to the factory brackets. (FIG. M)

a. (4x) #10 X 3/8 screws for the bottom locations

b. (4x) M5 X 10 or (4x) M4 X 10 screws for the top locations (radio module).

If factory bracket is thinner than 1mm, add a washer to space the screws out.

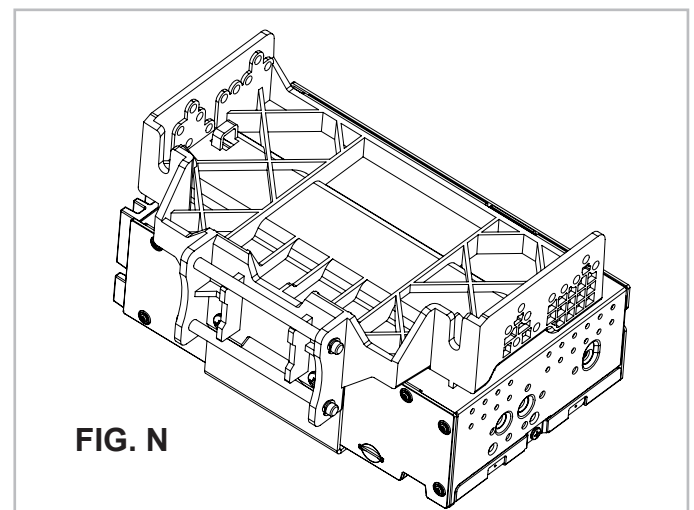
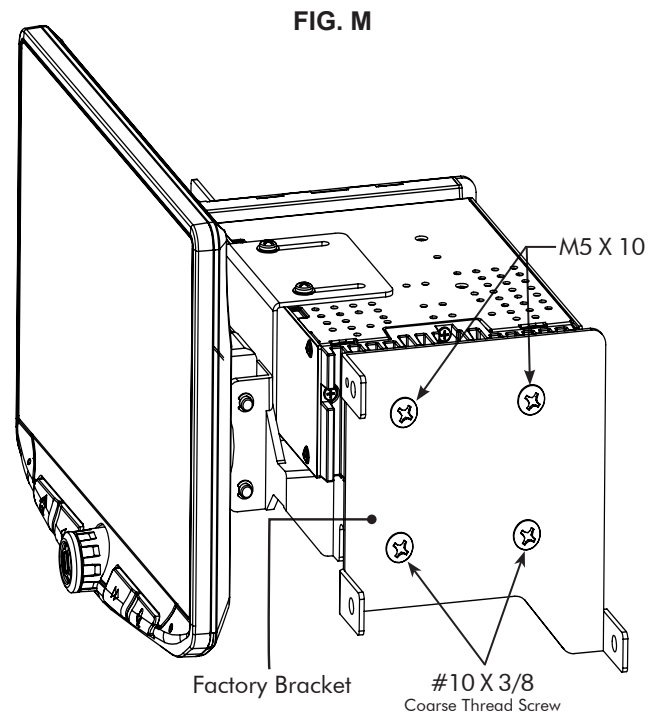
New holes in the factory brackets may need to be drilled for optimal screen position

Note: There are multiple mounting holes on the plastic mounting bracket to allow adjusting the mounting depth. You may drill additional holes in the mounting bracket and/or the factory brackets to align the display in the best position and ensure you can use all 8 mounting screws.

2. Install the assembly (from Step 1) into the vehicle (using factory screws/bolts).

3. Install the dash kit main frame and any factory panels that would affect the display installation.

Note: If there is a depth issue with the radio module in the top position, move it to the bottom location by inverting the mounting bracket assembly. (FIG. N)



4. Attach the display to the mounting bracket assembly by hooking bottom spring hook and then pushing up and hooking top hooks. (FIG. O)

5. Determine the desired position of the display:
- a. Display can be vertical or tilted up (FIG. P)
 - b. Display can slide up or down (Page 7)
 - c. Display can be tilted horizontally (Page 7 – FIG. B)

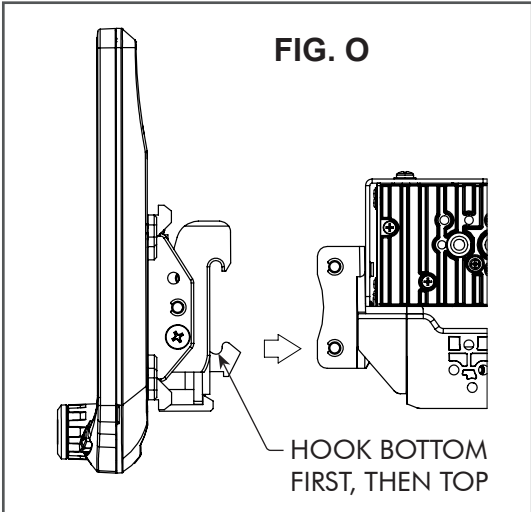
6. Determine the final front to back position by measuring the shortest distance between the display to the dash kit main frame or the factory dash and subtract that distance/measurement by ~6.35mm

Note: Do not push the display all the way up against the dash. Leave enough bottom gap as the display's bottom edge rotates towards the dash.

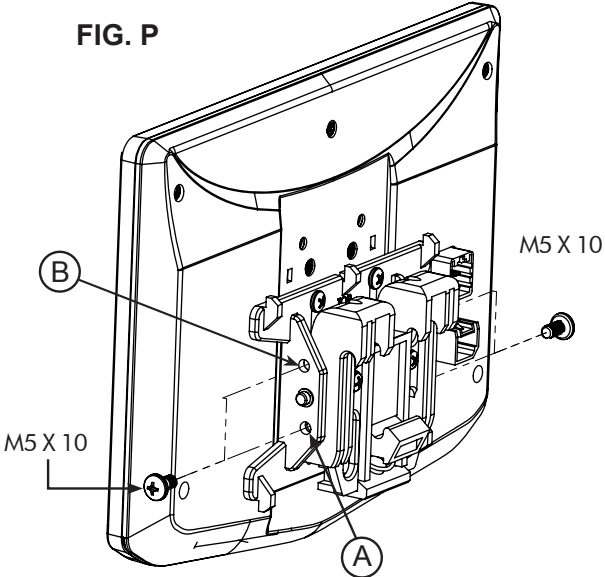
7. Remove the display from the bracket assembly by pushing up from compression spring side (1) and swing out to unhook top (2). (FIG. Q)

8. Remove the radio module & mounting bracket assembly from the vehicle. Using the measurement taken in step 6, install the radio module & bracket assembly back to that distance. (New holes in the factory brackets may need to be drilled).

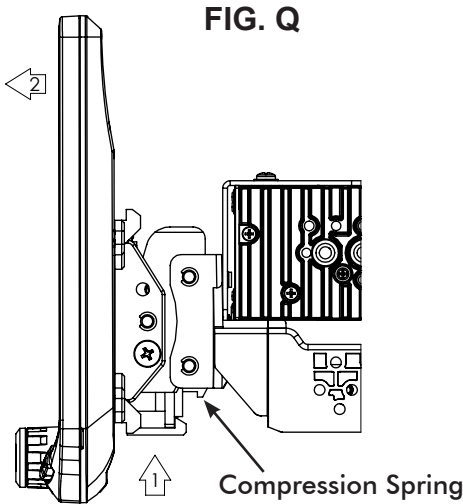
**PROCEED TO STEP 5
on Page 16**



NOTE: BOOT AND DASH KIT NOT SHOWN



VERTICAL TILT: Use **Hole A** for no vertical tilt or **Hole B** for 8 degrees of vertical tilt. Insert a M5 X 10 on each side of the clamp assembly at desired tilt.

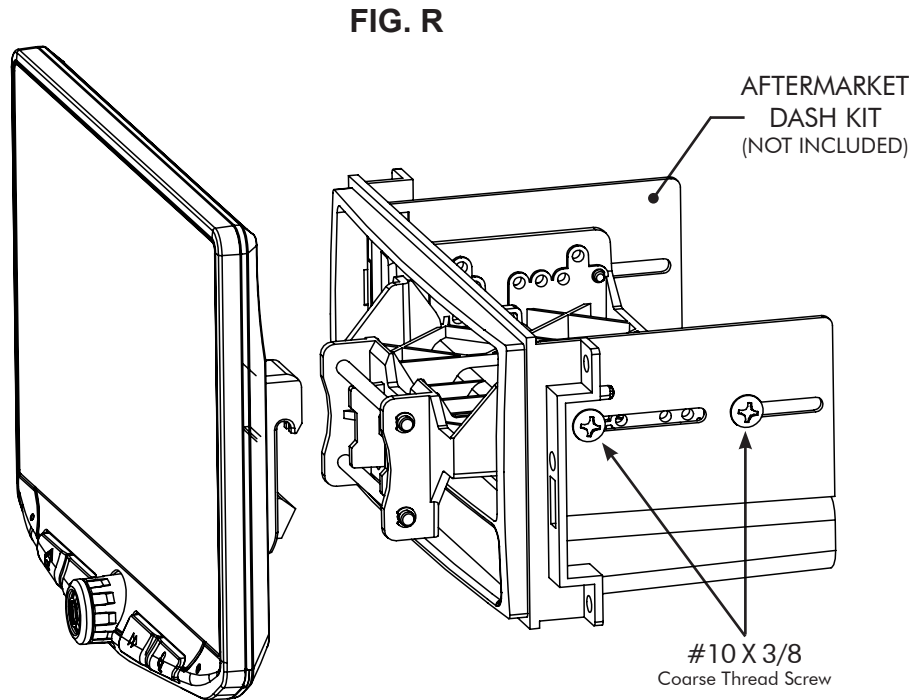


Using a Single DIN ISO Mountable Dash Kit:

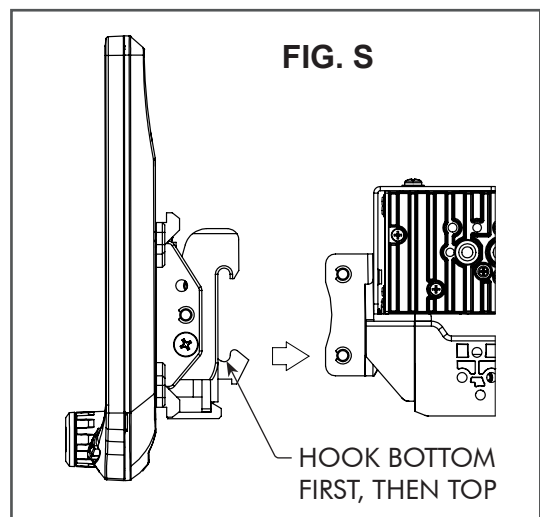
Radio chassis mounts separately into the sub-dash

Display Adjustment & Mounting:

1. Install the dash kit brackets to the main frame.
2. Making sure to use 4 screws, loosely attach the plastic mounting bracket assembly to the side kit brackets. (FIG. R)
 - a. (4x) #10 X 3/8 screws



3. Attach the display to the bracket assembly. (FIG. S)



NOTE: BOOT AND DASH KIT NOT SHOWN

4. Determine the desired position of the display:
- Display can be vertical or tilted up (**FIG. T**)
 - Display can slide up or down (Page 7)
 - Display can be tilted horizontally (Page 7 – **FIG. B**)

Note: There are multiple mounting holes on the mounting bracket to allow adjusting the mounting depth. You may drill additional holes in the mounting bracket and/or the dash kit brackets to align the display in the best position and ensure you can use 4 mounting screws.

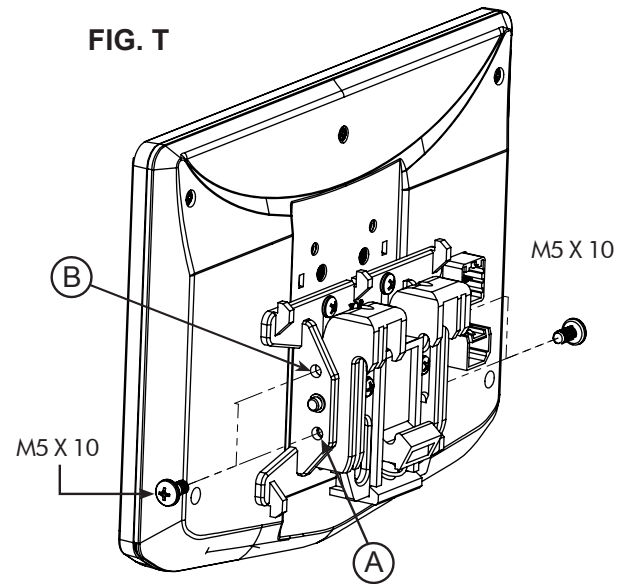
5. Once in the desired position, tighten screws to the mounting bracket assembly.

Note: If the display prevents the factory dash panel(s) from being installed last, do not push the display all the way up against the dash kit. Leave enough bottom gap as the display's bottom edge rotates towards the dash kit.

6. Remove the display from the bracket assembly by pushing up from compression spring side (1) and swing out to unhook top (2). (**FIG. U**)

Note: The plastic mounting bracket assembly may be inverted to align the display in the best position. (**FIG. V**)

FIG. T



VERTICAL TILT: Use **Hole A** for no vertical tilt or **Hole B** for 8 degrees of vertical tilt. Insert a M5 X 10 on each side of the clamp assembly at desired tilt.

FIG. U

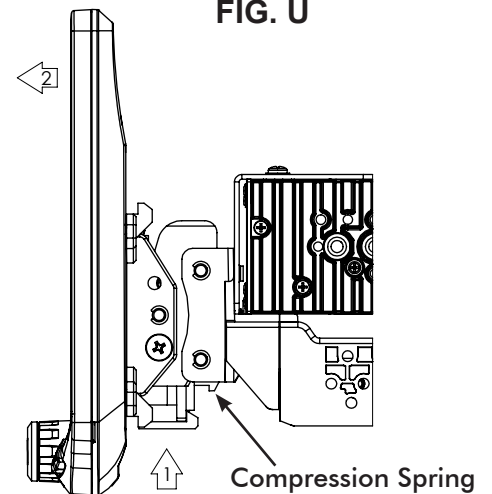
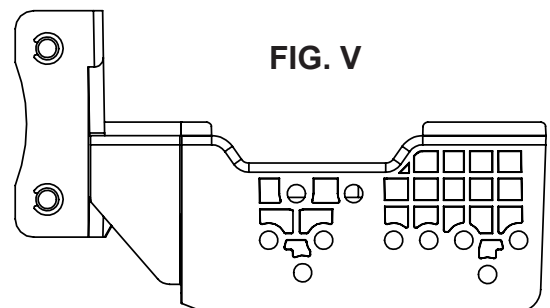


FIG. V



PROCEED TO STEP 5
on Page 16

Final Assembly

5

If needed, attach the rubber boot to the display clamp assembly by aligning the notch on the top edge as shown, and hook the boot to the clamp at 5 locations. (FIG. W)

Note: The boot is not required if display sits very close to the dash/dash kit and no large gap is seen.

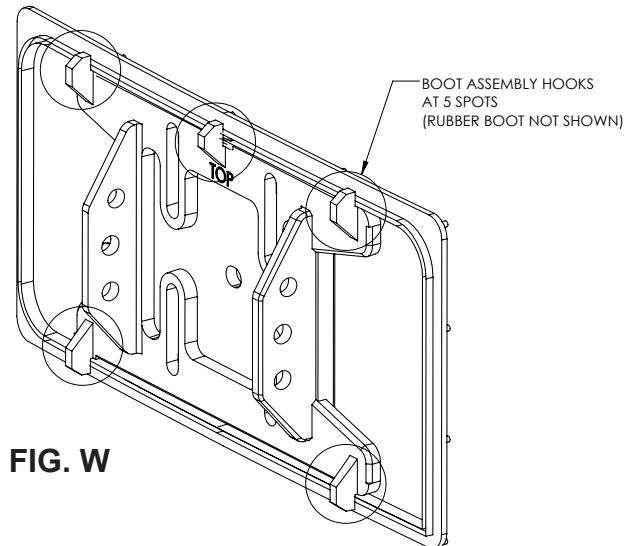
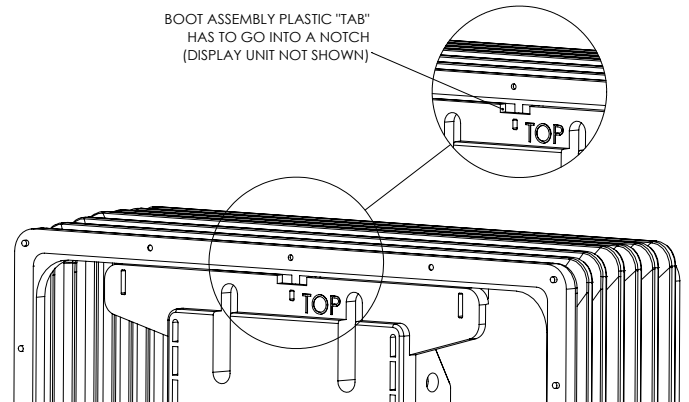
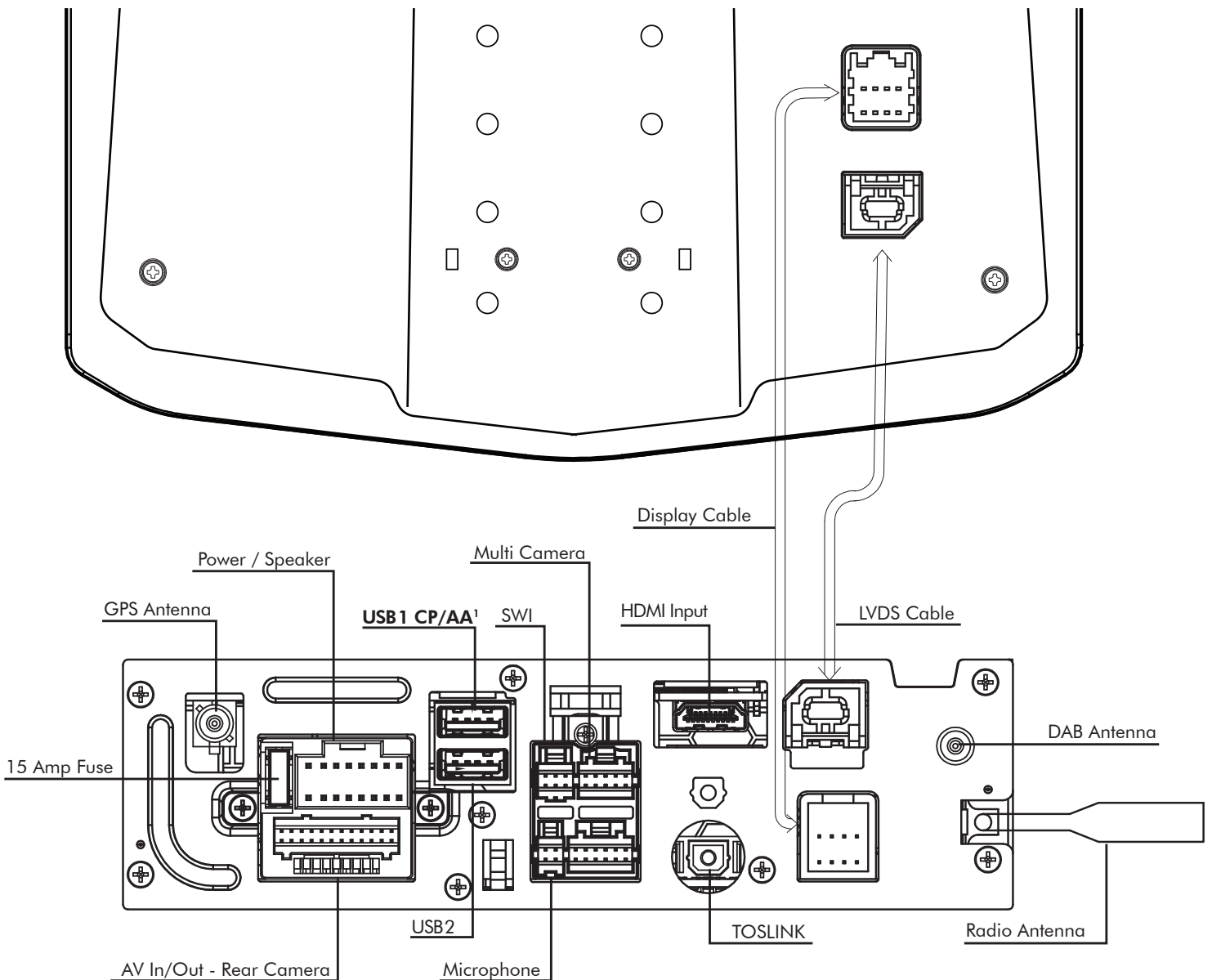


FIG. W

6

After all wiring connections are made in the next section, the dash kit with the radio chassis and bracket assembly, should be installed and any factory panels reinstalled. Connect the 8 Pin Display Power Harness and the LVDS Video Cable to the back of the display and attach display to mounting bracket.

Wiring and Connections



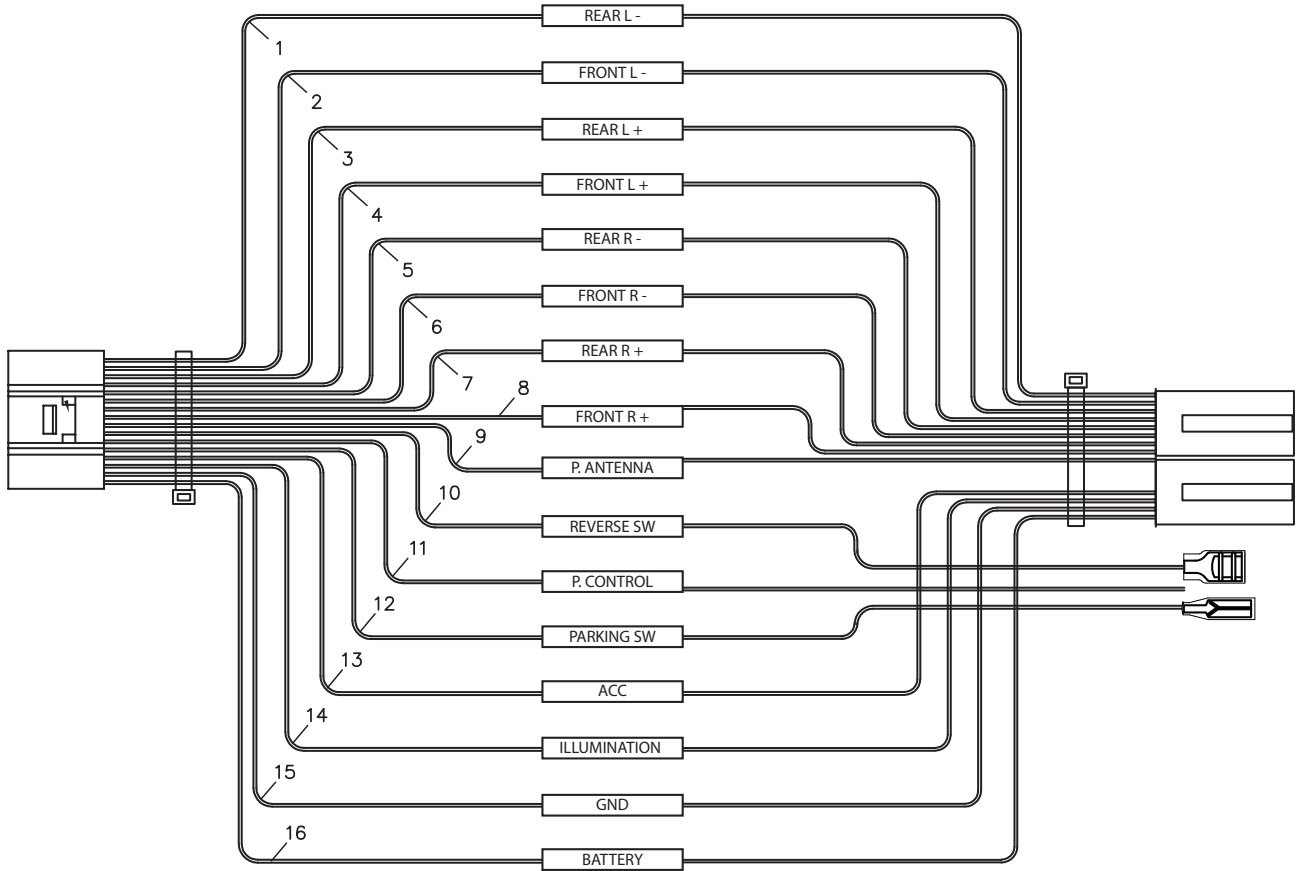
¹The top USB1 must be used for Apple CarPlay and Android Auto.

GPS Antenna must be installed for accurate operation of Apple CarPlay, Android Auto & internal Navigation.

Wiring and Connections

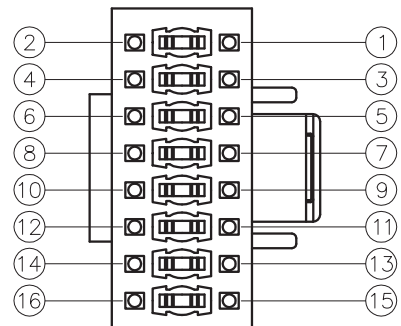
16 Pin Power / Speaker Harness

Connect radio power and speaker connections to a vehicle specific harness (sold separately) referencing diagram below.



IN WIRING HARNESS

Purple	Right Rear Speaker +
Purple/Black	Right Rear Speaker -
Green	Left Rear Speaker +
Green/Black	Left Rear Speaker -
Grey	Right Front Speaker +
Grey/Black	Right Front Speaker -
White	Left Front Speaker +
White/Black	Left Front Speaker -
Yellow	Permanent 12V +
Black	Ground -
Red	Ignition 12V +
Orange	Illumination +
Blue	Power Antenna +
Purple/White	Reverse Gear +
Blue/White	Power Control +
Light Green	Park Brake +



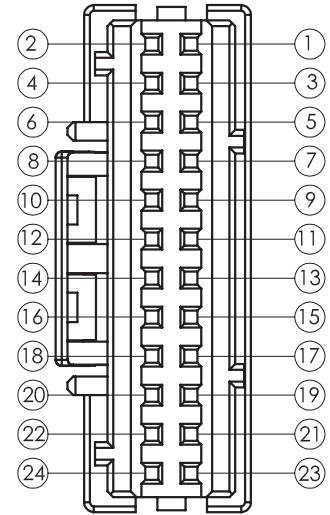
Connector View is pin side

Wiring and Connections

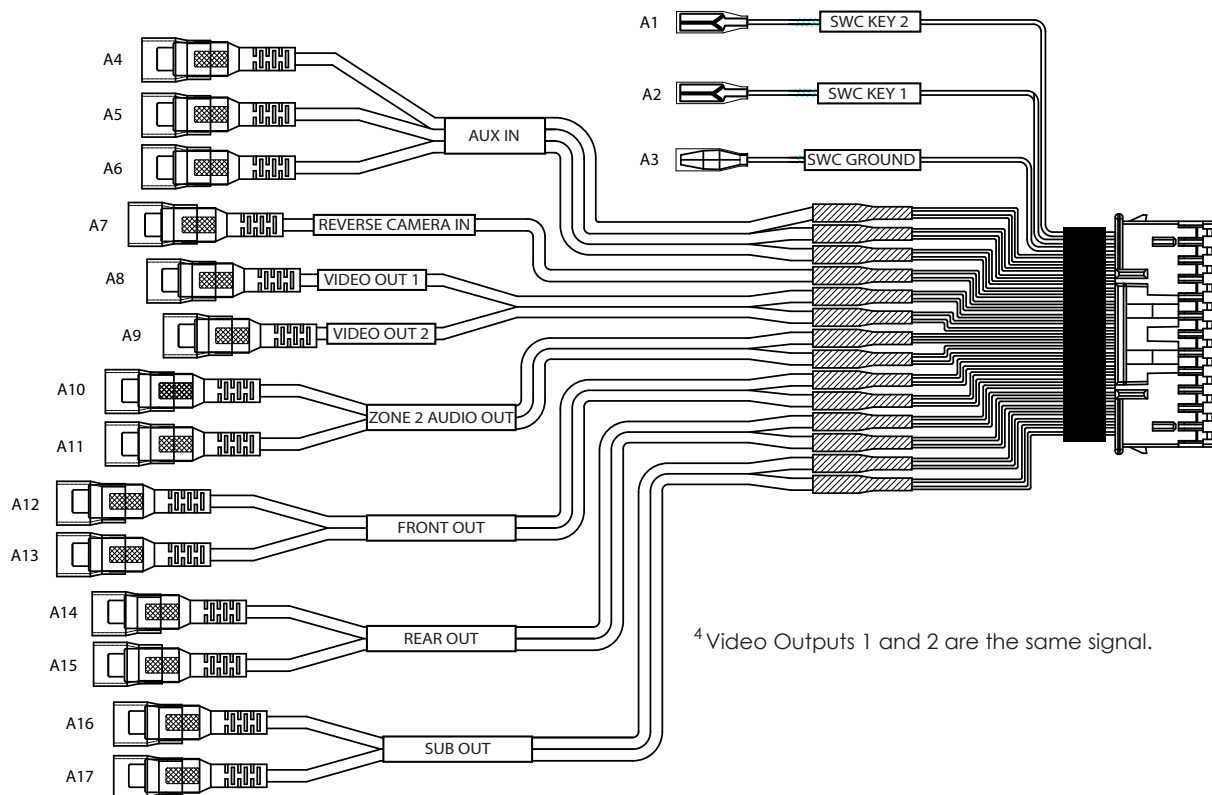
24 Pin AV / Rear Camera Harness

Audio/Video Inputs & Outputs / Rear Camera Video Input / Resistive Steering Wheel Control Inputs
 To program SWC, go to SETTINGS > Systems Settings > Installer Settings > Passcode:0052 > Advanced Vehicle Settings > Steering Wheel Control. Do not use if using a PAC SWI Interface.

Analog Steering Wheel Control Input	A1	Brown / Black	SWC Key 2
	A2	Brown	SWC Key 1
	A3	Black	SWC Ground
Audio / Video Input	A4	Yellow RCA	Video Input
	A5	White RCA	Audio Input Left
	A6	Red RCA	Audio Input Right
	A7	Yellow RCA	Camera Input
Video Output ⁴	A8	Yellow RCA	Video Output 1
	A9	Yellow RCA	Video Output 2
Audio Output	A10	White RCA	Zone 2 Left
	A11	Red RCA	Zone 2 Right
	A12	Red RCA	Right front
	A13	White RCA	Left Front
	A14	Red RCA	Right Rear
	A15	White RCA	Left Rear
	A16	White RCA	Left Subwoofer
	A17	Red RCA	Right Subwoofer



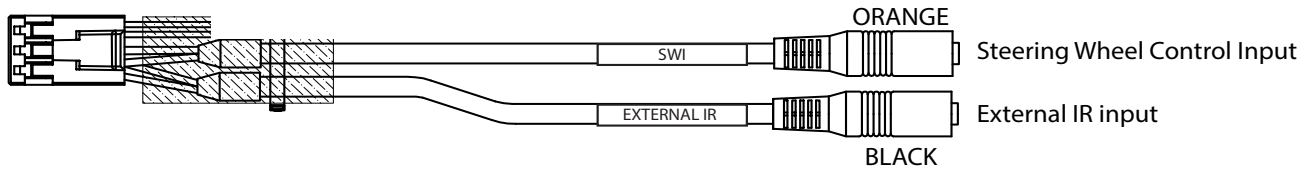
Connector View is pin side



Wiring and Connections

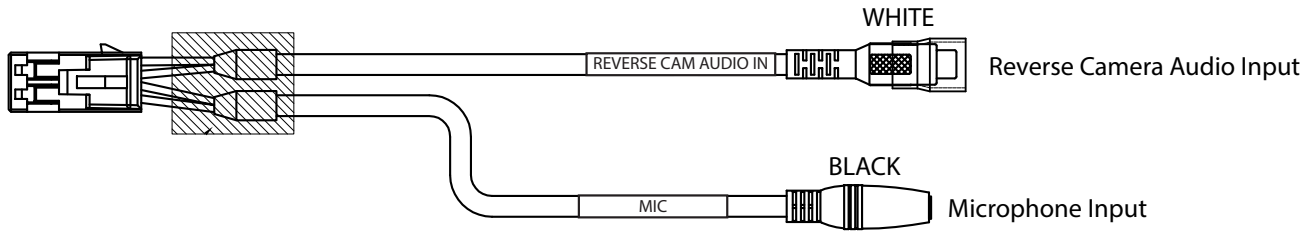
6 Pin SWI / IR Harness

3.5mm Input for optional Steering Wheel Control Interface
(PAC Audio SWI-CP2 is recommended for full compatibility and advanced features. Visit PAC-Audio.com)



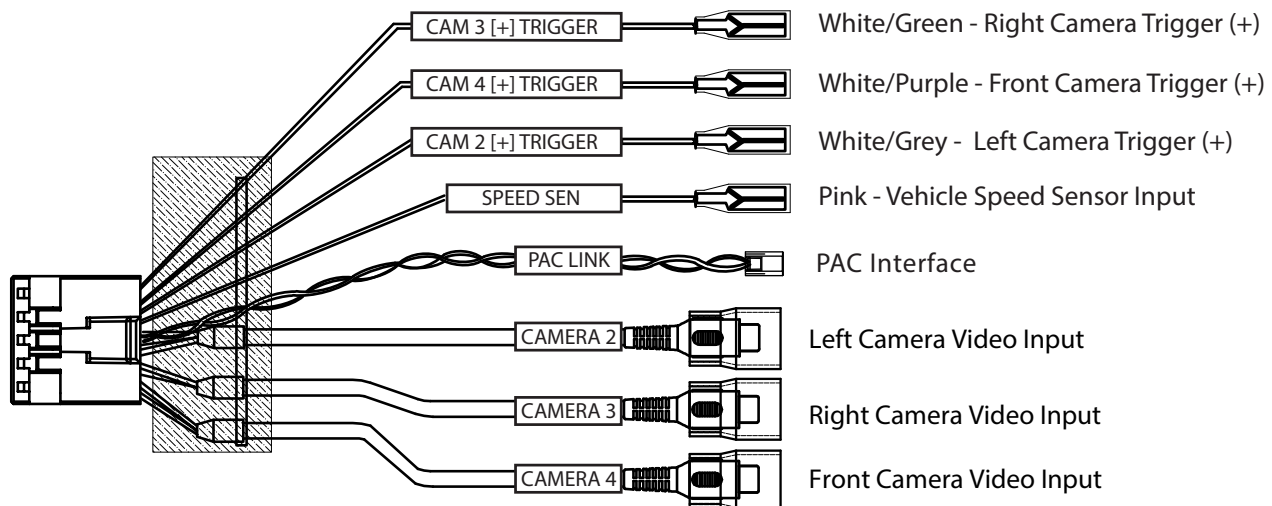
4 Pin Microphone / Camera Audio Harness

Input for External Microphone (included) used for hands-free calling, Apple CarPlay and Android Auto / Optional reverse camera audio input

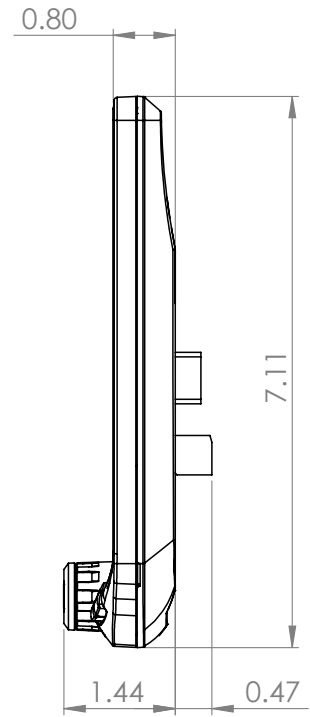
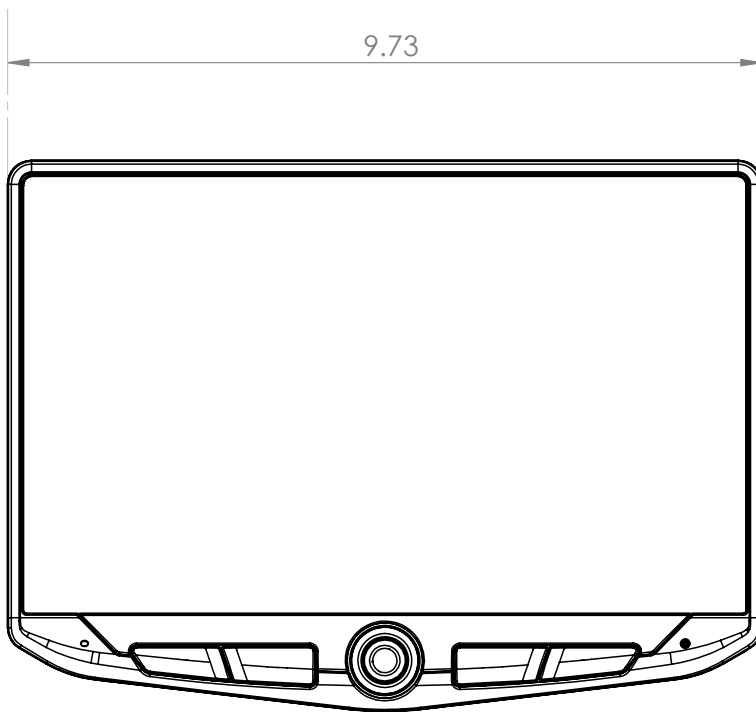


10 Pin Multi Camera Harness

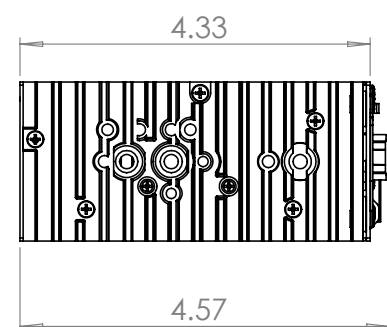
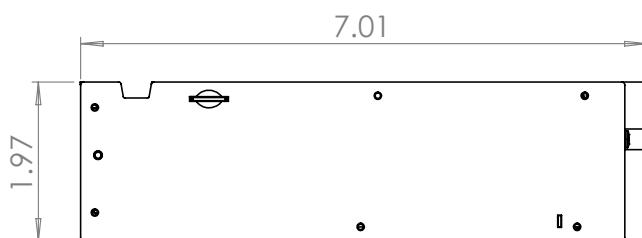
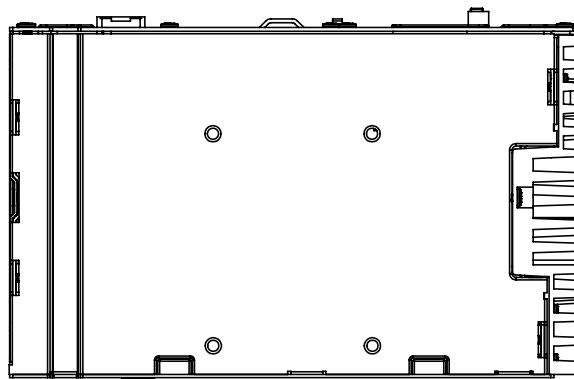
3 additional camera inputs and triggers / Vehicle Speed / PAC Link
Camera Triggers 2 & 3 will accept a pulsing + trigger (turn signal).



Dimensions (in)



DIMENSIONS ARE IN INCHES



DIMENSIONS ARE IN INCHES

Troubleshooting

General

Black Screen with Audio

Touch the screen anywhere as it may have been turned off.

Ensure the display cables on the back of the display are fully locked into place and also properly connected at the back of the radio module.

Installer Settings

To access the Installer Settings for firmware updates, SWC programming, factory reset, go to MENU > SETTINGS > SYSTEM SETTINGS > INSTALLER SETTINGS > **Passcode: 0052** > OK

Bluetooth

Device will not Pair

Ensure Bluetooth is turned ON in your device settings. Delete all unused devices. Restart/Reboot device and try pairing again.

Music Volume is low

- Turn up volume on device
- Turn up volume on head unit
- Turn up BT Volume Gain
(MENU > SOUND SETTINGS > AUDIO SETTINGS > ADVANCED SETTINGS > SOURCE GAIN)

Phone Volume is low

- Turn up volume on device
- Turn up volume on head unit
- Turn up BT Volume Gain
(MENU > SOUND SETTINGS > AUDIO SETTINGS > ADVANCED SETTINGS > SOURCE GAIN)
- Turn up Mic Gain
(MENU > PHONE > SETTINGS)

No Microphone / Voice Control

- Set Microphone location
(MENU > PHONE > SETTINGS)

Video/Cameras

Rear Camera not displaying in reverse

- Make sure rear camera trigger is ON -
(MENU > CAMERAS > CAMERA SETTINGS)
- If display is showing NO SIGNAL in reverse, ensure camera RCA is plugged into correct RCA input (CAMERA IN).
- Confirm camera has power and ground.
- Confirm camera trigger is receiving positive 12V.

Note: NTSC and PAL video formats only.

Apple CarPlay

Apple CarPlay will not start/launch

- Ensure an Apple certified cable is being used
- Ensure cable is plugged into USB #1 (top)
- Make sure Apple CarPlay is turned ON
(MENU > SETTINGS > SYSTEM SETTINGS > Apple CarPlay)

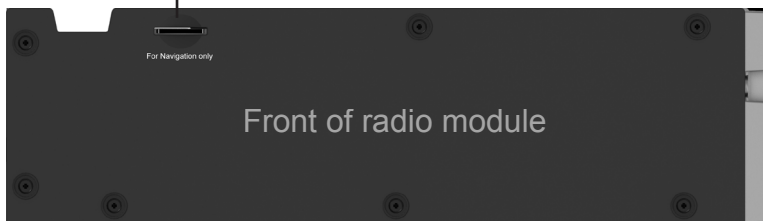
Android Auto

Android Auto

- Ensure a USB certified cable is being used
- Make sure Android Auto app is downloaded and installed on your device.
- Ensure cable is plugged into USB #1 (top)
- Make sure Android Auto is turned ON
(MENU > SETTINGS > SYSTEM SETTINGS > Android Auto)

Micro SD Card slot (Not used)

Micro SD Card slot



NOTES:
