

Wireless Charging Pad

USER MANUAL AP10QI

Thank you for purchasing the AP10QI Wireless Charging Pad. It is compatible with all Qi enabled devices like Samsung S7/ S7 edge, S8/ S8 edge, iPhone8, iPhone8 plus, iPhoneX, etc.

For optimum performance and safety, please read this manual carefully before using this product.

Specifications

Power: 10W

Input Voltage: 5V/2A; 9V/1.67A

Output Voltage: 5V/1A; 9V/1.12A

Over voltage/temperature protection

Type-C Input

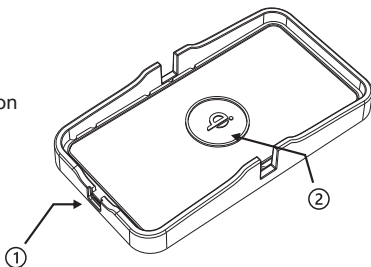
Charging efficiency: $\leq 70\%$

Transmission distance: $\leq 6\text{mm}$

Size: 185 x 100 x 26 mm

Weight: 180g

Qi-ID4506

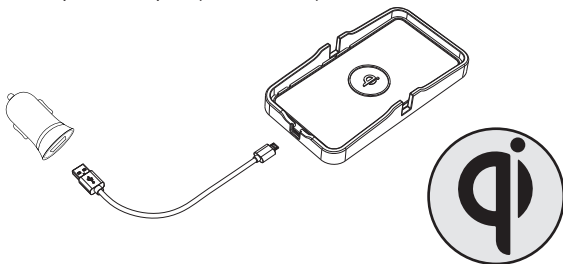


① Type-C Input port

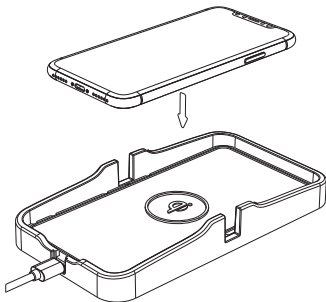
② Charging pad contact

How to use your Wireless Charging Pad

1. Connect supplied Type-C data cable to the input port of the charging pad
2. Connect supplied USB end of the Type-C data cable (Included) to a USB car charger or USB power adapter (Not Included).



3. Place your mobile device (face up) on to the Wireless Charging Pad
4. Charge icon will appear on your mobile device for successful connection.



NOTE:

1. The car charger or adapter used to power the Wireless Charging Pad that outputs the proper voltage is required (Not included). It should meet QC2.0, QC3.0 or QC4.0 standard. Aerpro models APL24QC & ADMQC3U meet the requirements are sold separately.
2. The connected power car charger or adapter used must output 5V/2A or 9V/1.67A. Using a charger or adapter with a lower output may result in malfunction or overheating.
3. Quick Charge 3.0 power charger or adapter required for fast charge mode
4. Charging speed may vary depending on device specifications, input voltage and environment.
5. Phone cases or metal plates for magnetic attachment may interfere with wireless charging.
6. It's normal for the charger and your device to get hot whilst charging. It will get even hotter if the device is also being used while charging.

Technical assistance

If you need assistance setting up or using your Aerpro product now or in the future, call Aerpro Support Australia TEL: 03 – 8587 8898 FAX: 03 – 8587 8866 Mon-Fri 9am – 5pm AEST

If you would like to download a digital copy of this manual, or other Aerpro manuals/software, please visit the <http://aerpro.com> website. This manual is considered correct at time of printing but is subject to change. For latest manuals and updates refer to the website.

