



**Aerpro**<sup>®</sup>  
First Choice



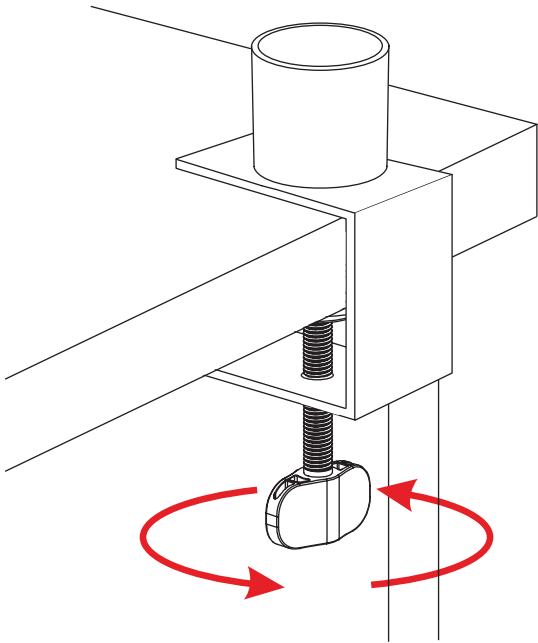
# APMIC3

BROADCAST MICROPHONE WITH PROFESSIONAL FOLDABLE ARM

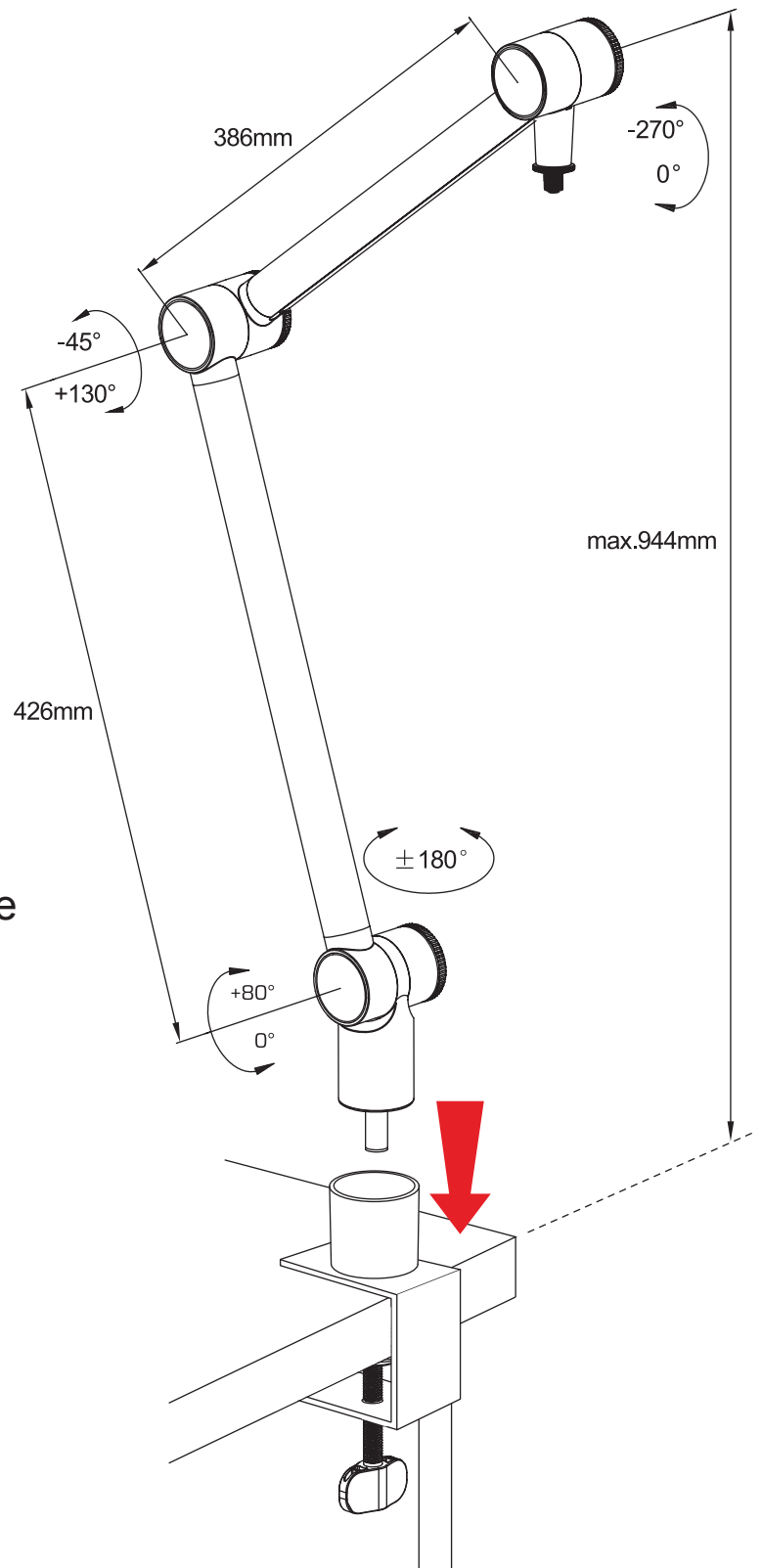
**USER MANUAL**

## Mounting

1. Attach the clamp base to a desk. Adjustable thickness from 15-60mm. Tighten clamp to secure.

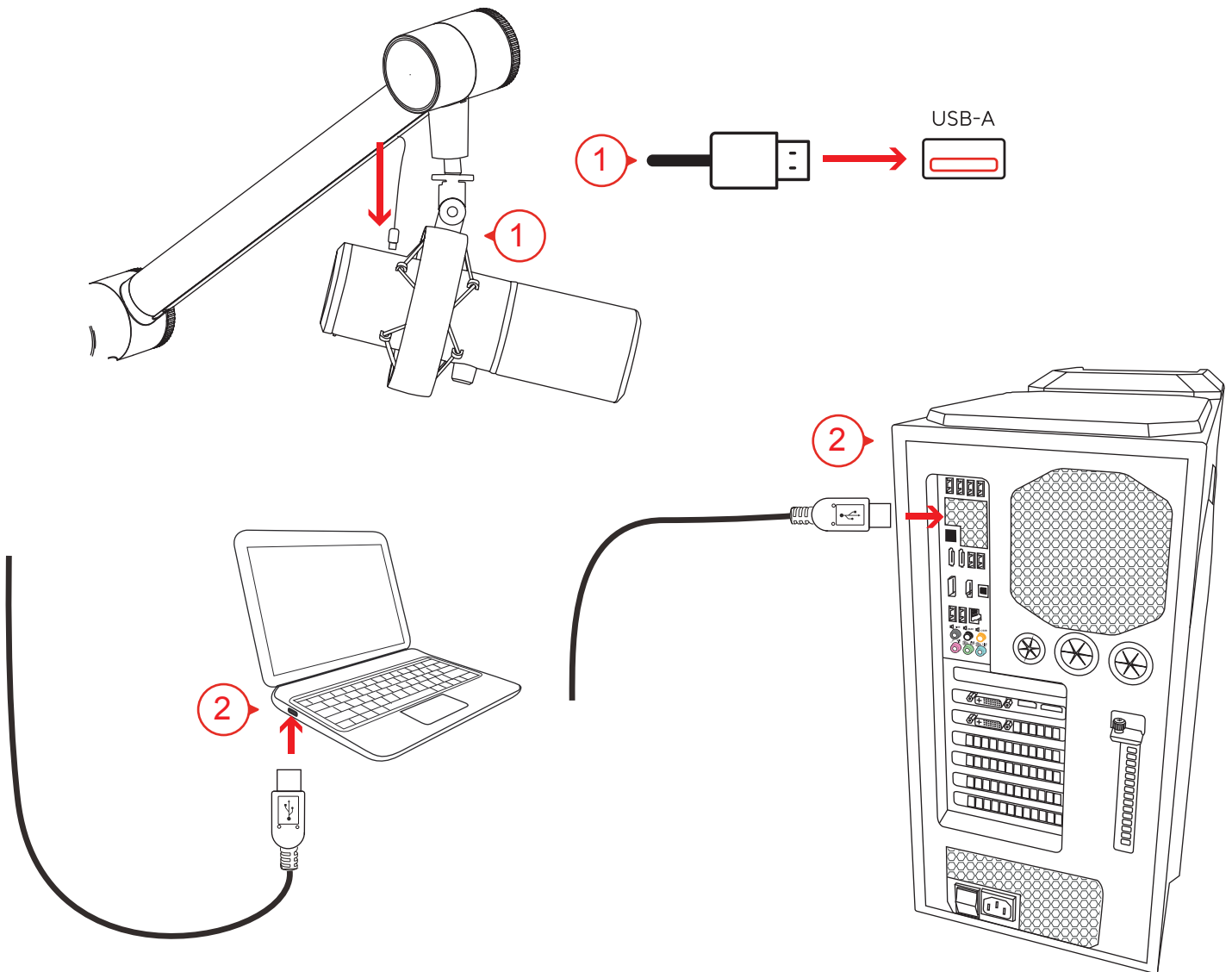


2. Insert the micarm into the secured base.

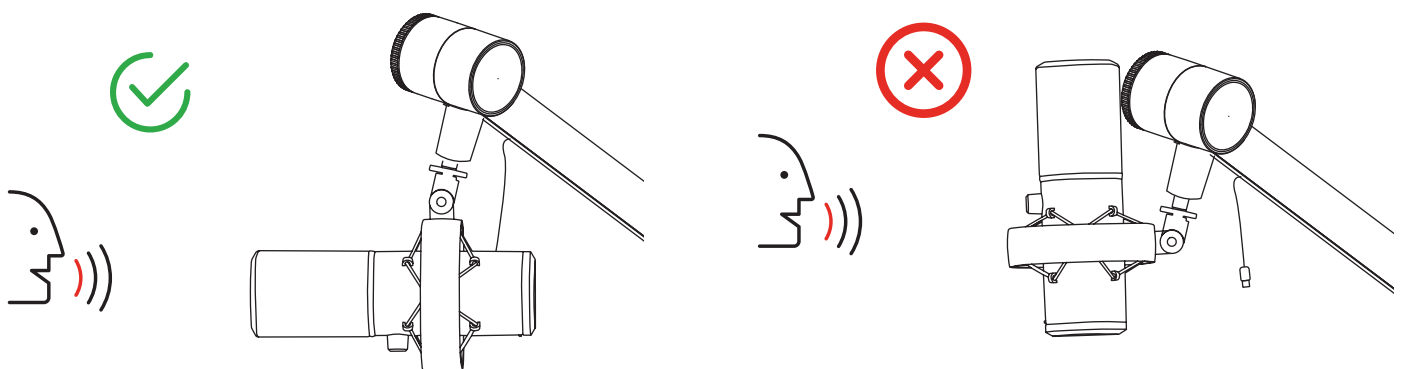


## Assembly

3. Attach the microphone to the micarm. To power the microphone, insert one end of the supplied USB cable into the microphone's port (1), and the other end to a compatible port of your computer (2).

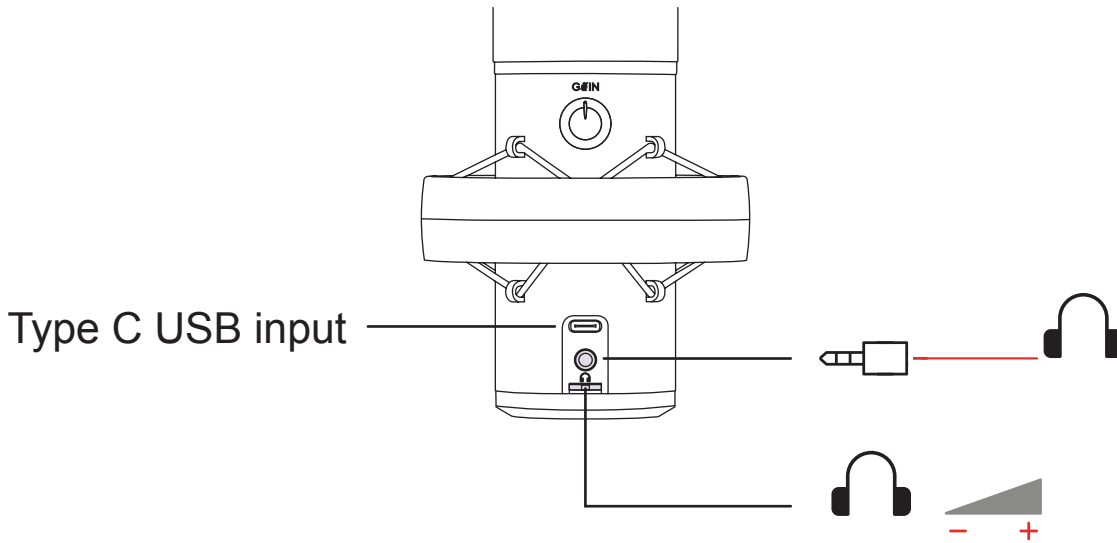


4. When speaking into the microphone, angle as pictured below. The distance from the mouth should be about 1 inch, or 10 - 40mm for optimal recording.

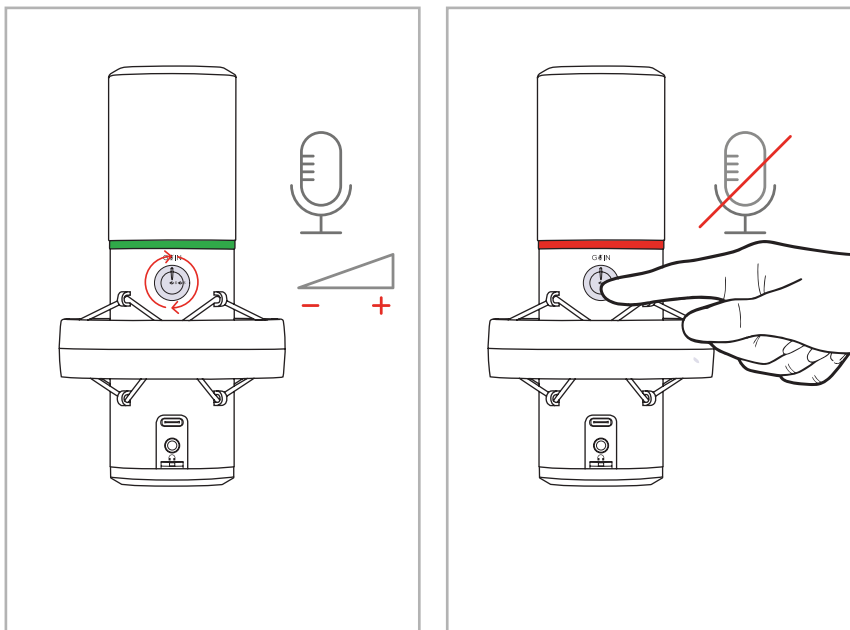


## Headphone Connection

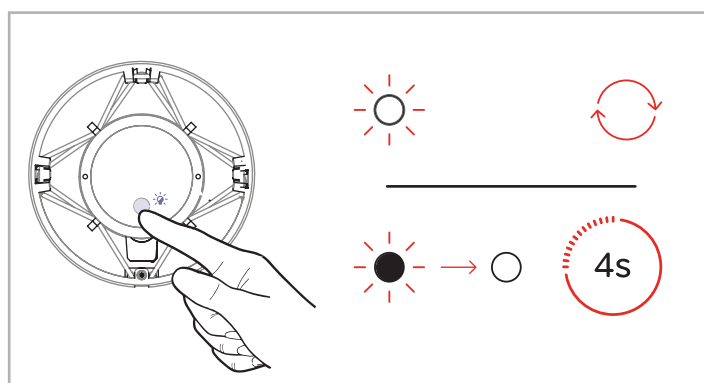
5. Headphones can be attached via the audio output. Volume can be adjusted sliding the volume button left and right. **NOTE:** Adjusting volume will only affect microphone headphone output.



6. Microphone volume and gain adjustment.



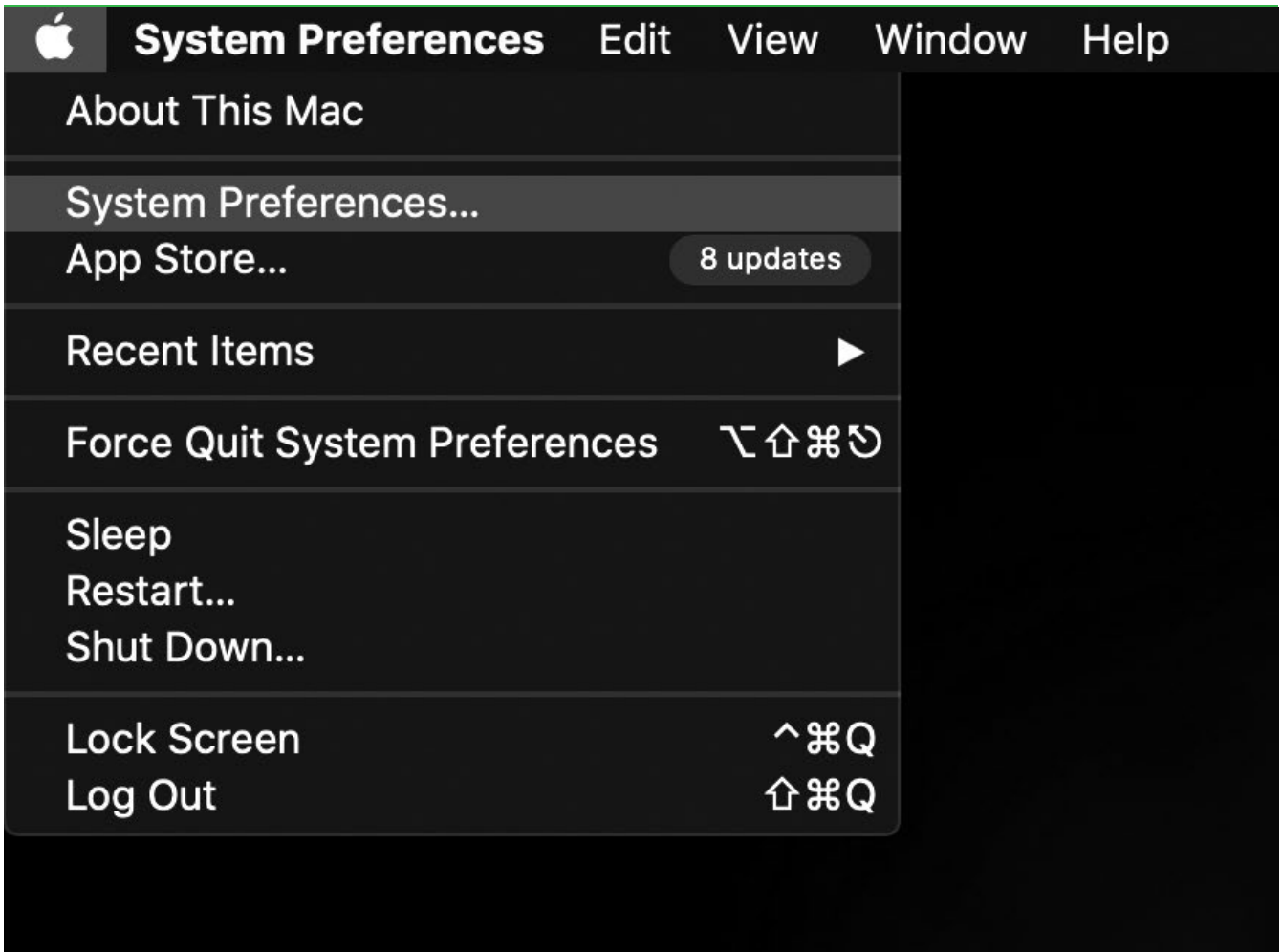
7. Pressing the button will cycle through the different LED ring colours. RGB Breathing, Green, Ice Blue, Blue, Purple-Pink, Corel Pink, Lime Green. Holding the button will turn off the LED Ring



## Preliminary setup with Mac OS X

1. Once you plug the free end of the provided USB cable into the USB port on your computer. Your computer will automatically recognize the USB device and automatically install built-in drivers if needed.

2. To select the **APMIC3** as your audio input, first open your System Preferences



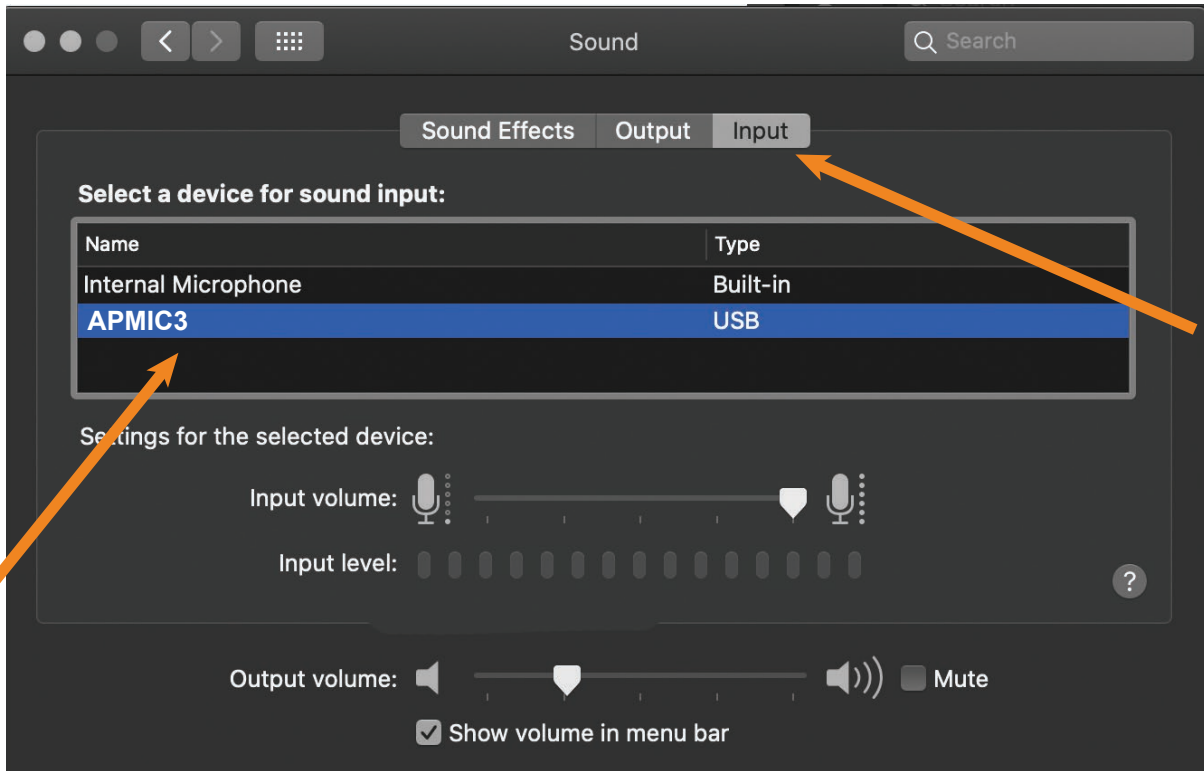
**NOTE:** Many recording software programs are available online. Audacity is widely used free software for recording and editing sounds. It is available online at <http://sourceforge.net>

## Preliminary setup with Mac OS X (continued)

3. Next, click **Sound** to display the Sound Preference panel.



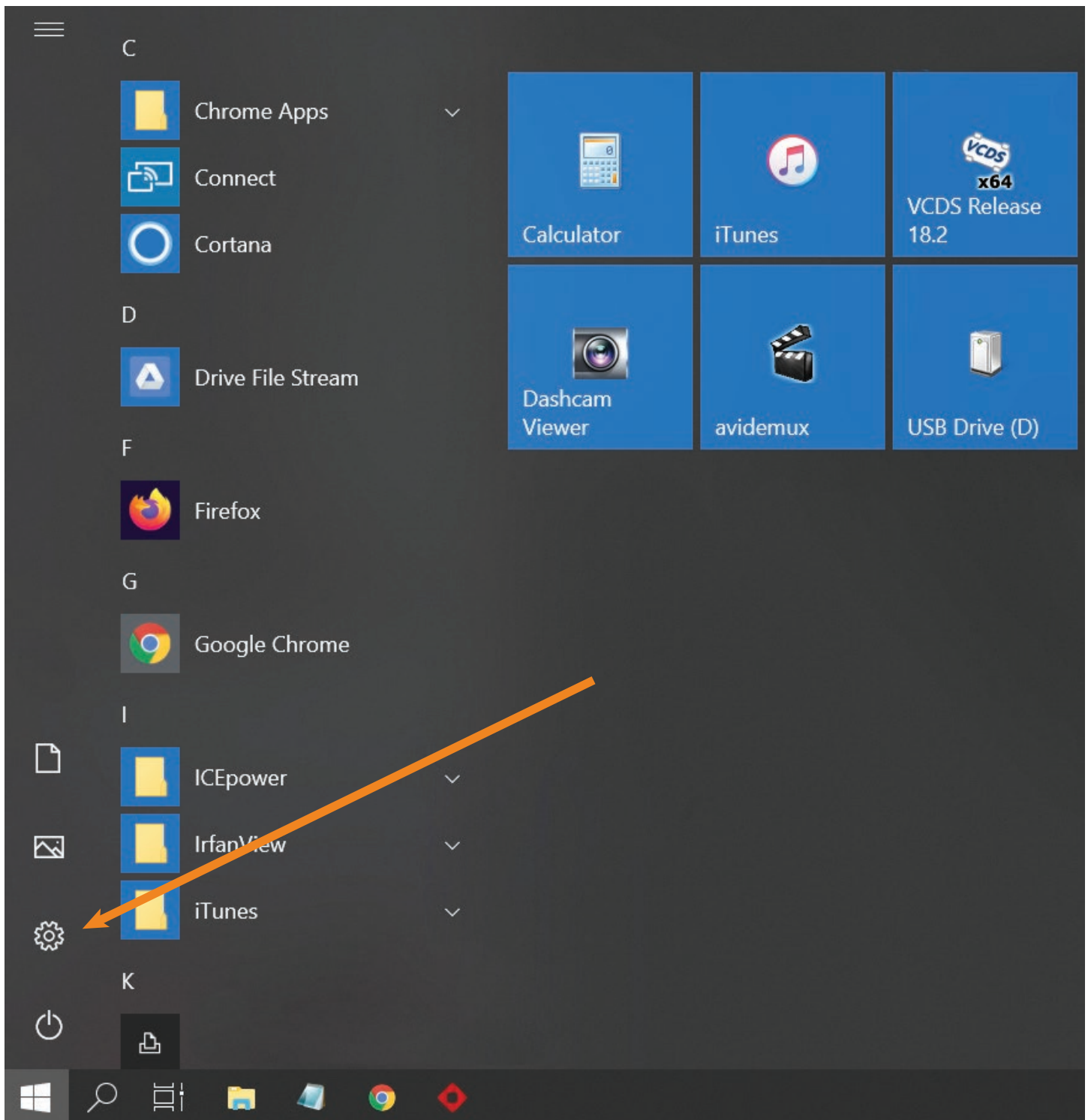
4. Click the **input** tab and select the **APMIC3** as the device for sound input.



Your preferences are now set to use the **APMIC3** on your Mac with Garage Band or another recording program of your choice.

## Preliminary setup with Windows 7/10/11

1. Plug the free end of the USB cable into the USB port on your computer. Your computer will automatically recognize the USB device and automatically install built-in drivers if needed.
2. To select the **APMIC3** as your default recording device, begin at your **START** menu. Select **Settings**



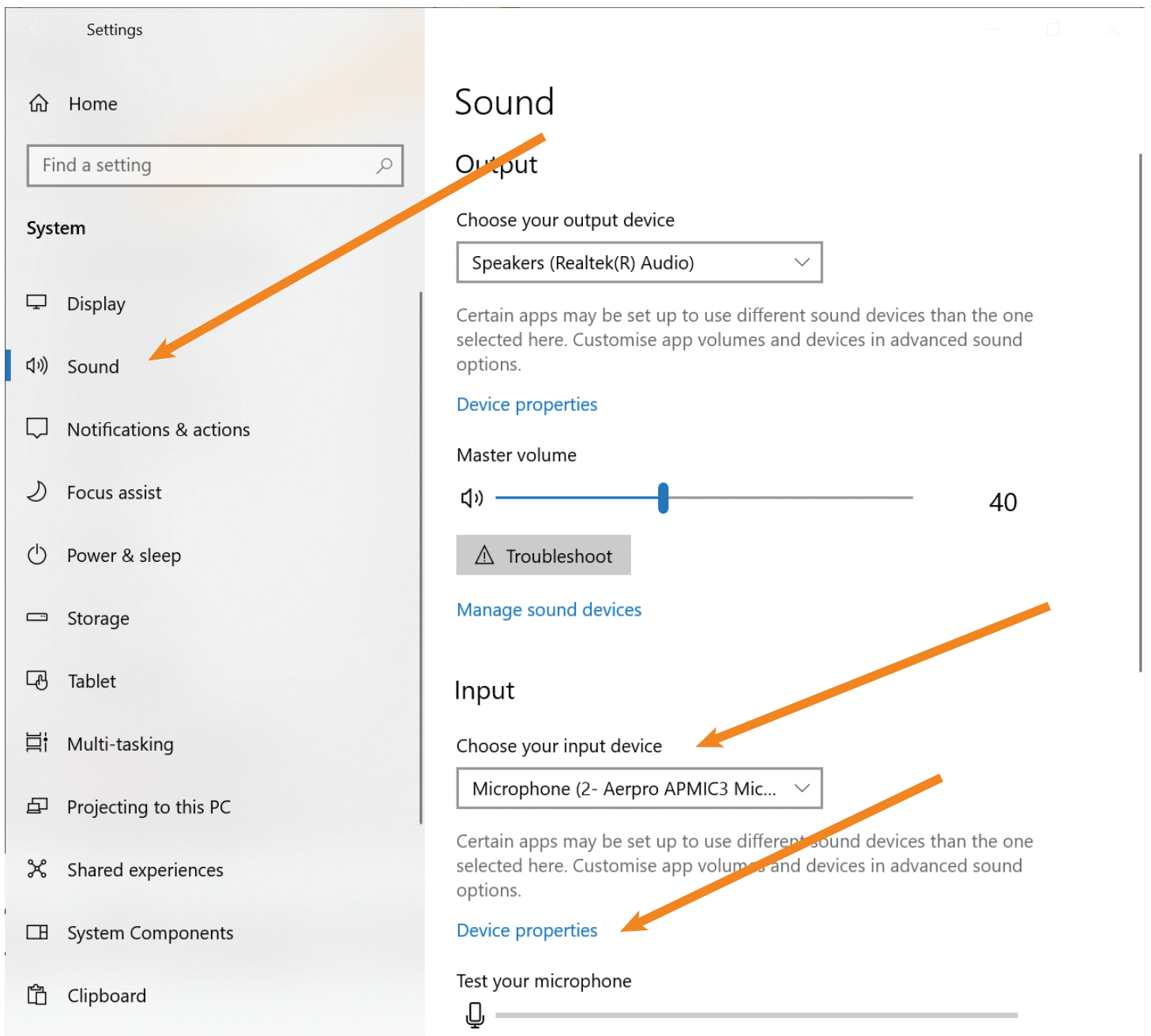
## Preliminary setup with Windows 7/10/11 (Continued)

3. The following screen will pop up

4. Select **Sound**

5. Select **Input** window and choose **APMIC3** as the default device.

6. Click on **Device Properties** to select the levels tab to adjust microphone level (loudness). You may need to come back to this window to readjust the level after you begin recording.



Your preferences are now set to use the **APMIC3** with Windows 7/10/11 using the recording program of your choice.



## Additional Information

### Setting your software levels

Correct adjustment of microphone level is important for optimum performance. Ideally, the microphone level should be as high as possible without overloading the input of your computer. If you hear distortion, or if your recording program shows levels that are consistently overloaded (at peak levels), turn the microphone volume (or level) down, either through your control panel (or system preferences) settings, or through your recording software. If your recording program shows insufficient level, you can increase the microphone gain either from the control panel (or system preferences) settings or through your recording program.

## Features

- 20mm Gold Plated Capsule: A unique feature that sets the APMIC3 apart, delivering exceptional audio clarity and richness.
- Reduce background noise and ensure your voice is perfectly heard with the cardioid pickup pattern.
- Stay in sync with your recording with the zero-latency headphone monitoring port, allowing real-time listening.
- Keep your setup sleek and organized with the foldable design and hidden cable slot.
- Microphone ring can be switched between 6 different colours or RGB breathing mode.
- Robust design supporting up to 1.5kgs, this microphone arm kit is built to last.
- Fine-tune your audio experience with headphone volume control and a touch mute feature for added convenience by connecting your headphones directly to the microphone.
- Stay informed with the LED ring indicator, providing visual cues for your microphone status.
- Effortlessly fold and unfold the tripod base for quick and easy setup.

## Specifications

- Pick up Pattern: Cardioid (Top unidirectional)
- Capsule: 20mm Gold Plated
- Connection to Mic: USB Type-C
- Foldable design with hidden cable slot
- Support max table thickness 60mm
- Strong loading weight: 1.5kgs
- Frequency response: 20-20,000Hz
- Sensitivity: -5dBFS(+/-3dBFS)
- Max SPL: 99 dB
- Sampling rate: 24 bit/192KHz
- Signal to Noise ratio: 70dB

## Package contents

- Professional USB microphone with integrated shock mount bracket
- Adjustable folding desk clamp stand
- 2x Wind socks (1 black & 1 blue)
- USB Type-C cable length: 3M

## Compatibility

- PC - Windows 7, 8, 10, 11
- MAC - OSX
- Linux

## Technical Assistance

Please retain this user guide for future reference.

If you would like to download a digital copy of this manual, or other Aerpro manuals/software, please visit the Aerpro.com website and search for information on your model.

This manual is considered correct at time of printing but is subject to change. For the latest manual, videos and updates refer to the website.

Copyright © 2024 by TDJ Australia

All rights reserved. No part of this publication may be reproduced, distributed, or transmitted in any form or by any means, including photocopying, recording, copying or other electronic or mechanical methods, without the prior written permission of the author.

TEL: 03 – 8587 8898      FAX: 03 – 8587 8866

Mon-Fri 9am – 5pm AEST

EMAIL: [service@tdj.com.au](mailto:service@tdj.com.au)



Scan here for  
product information  
and user manual.

**aerpro.com**