



ADVANCED SAFETY **VISION SYSTEMS**

AVK10W1 10" WIRELESS HEAVY DUTY QUAD VIEW
MONITOR 1080P HD CAMERA KIT

USER MANUAL



Wireless



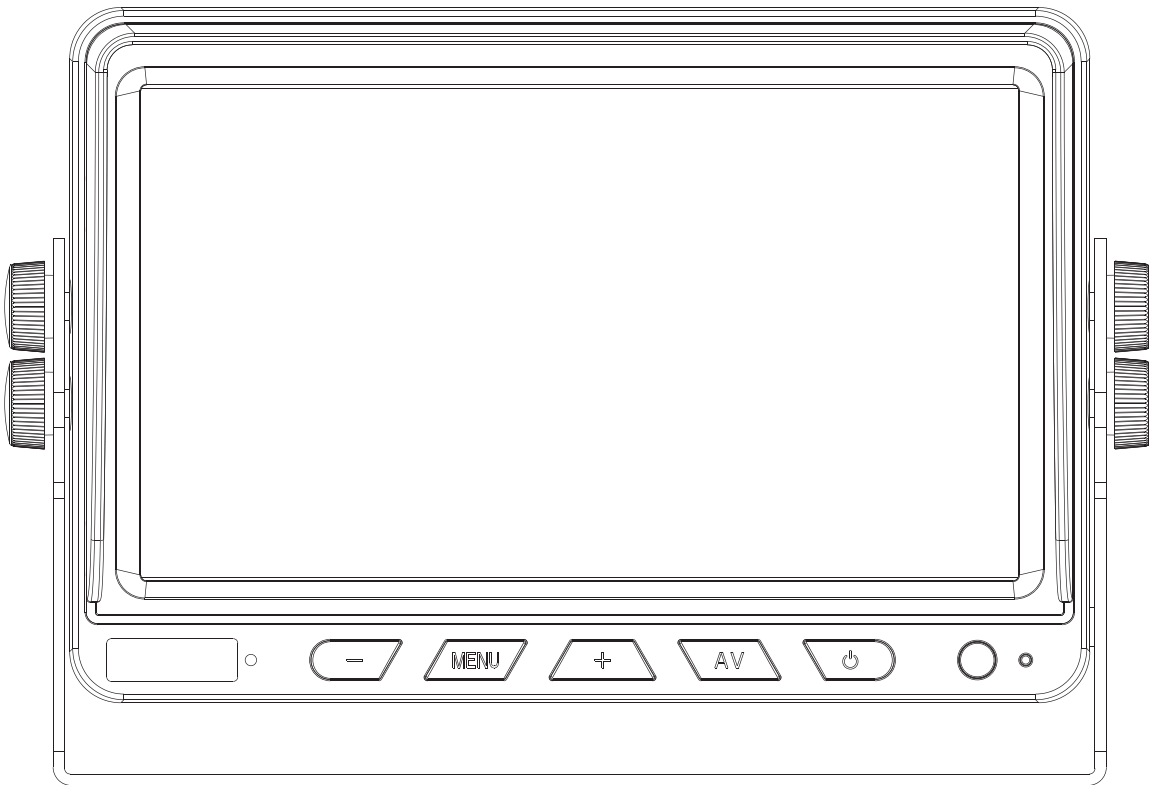
HD
1080P

QUAD
CAMERA INPUTS

12/24V
COMPATIBLE

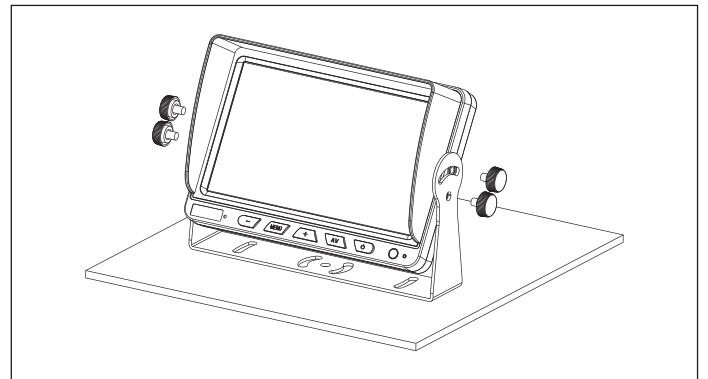
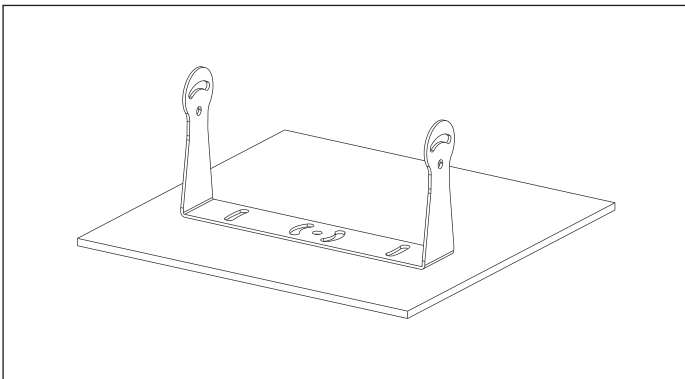
ADVANCED SAFETY **VISION SYSTEMS**

Product overview

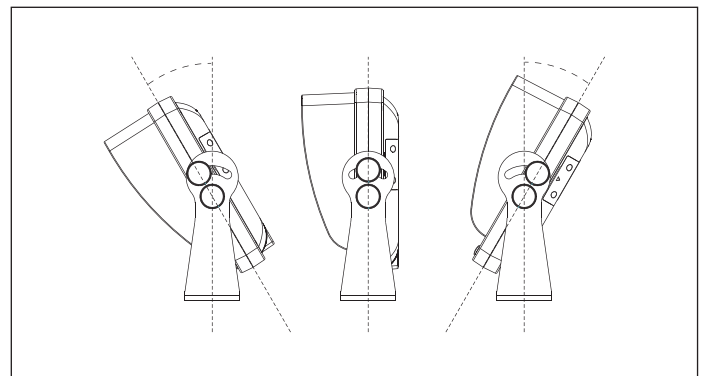
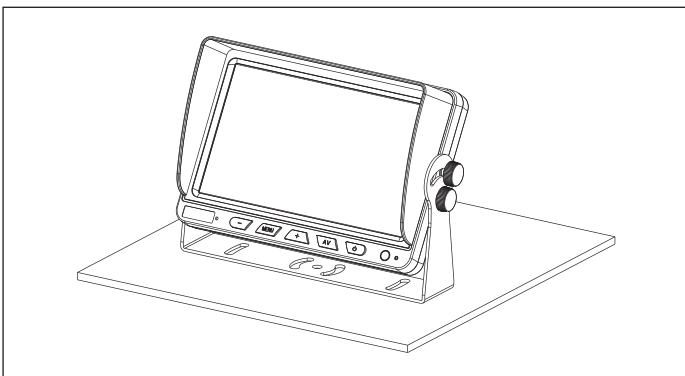


Bracket installation

1. Fix the U-bracket into position. Insert and lock the monitor into the bracket using the mounting screw knobs.



2. Adjust to your desired angle.



ADVANCED SAFETY VISION SYSTEMS

Installation options

Monitor



Camera



Option1
Socket
wired

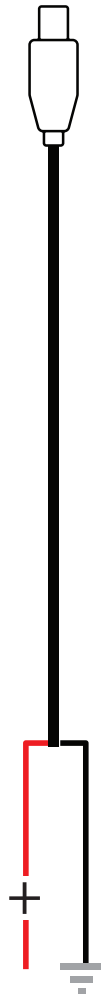
1.7 Metres



10-32V DC car
accessory socket

Option2
Hardwired

1.5 Metres



Powerwires
(10-32V Accessory)

2.5 Metres



Powerwires
(Reversing light 10-32V)

ADVANCED SAFETY **VISION SYSTEMS**

Product information



1. Monitor wireless antenna
2. Screen
3. Adjustable monitor angle mount
4. Camera wireless antenna
5. - Selection button
6. Menu button: Click to enter/exit the menu settings
7. + Selection button
8. AV button
9. Power button: Press for 1 second to turn on or off.
10. Power light (Blue)
11. Adjustable camera angle mount
12. IR lights
13. IR Sensor
14. Camera lens

ADVANCED SAFETY **VISION SYSTEMS**

Menu operation

When the monitor is on, press the “MENU” button to enter into the menu settings.
Press the “+ / -” buttons to cycle through setting options.
Press the “AV” button to confirm setting.

Main menu

Cameras / Pairing / Record / Playback / View Mode / Setting



NOTE: To change settings within the menu will only be accessible when in single channel mode. Press the AV button to change to single viewing mode (If you have more than one camera).

Cameras

Select the Camera icon on screen. Press the “AV” button to enter the camera settings. Press the “+ / -” buttons to cycle through setting options. Press “AV” button to enter the settings and display options. Settings are Flip & Mirror, Colour and Parking line.

Flip & Mirror: 4 options

Colour: Brightness, Contrast, Saturation, Hue

Parking line: To turn on/off, select MENU >Camera> Parking Line> left or right button to turn on/off the parking lines.

ADVANCED SAFETY VISION SYSTEMS

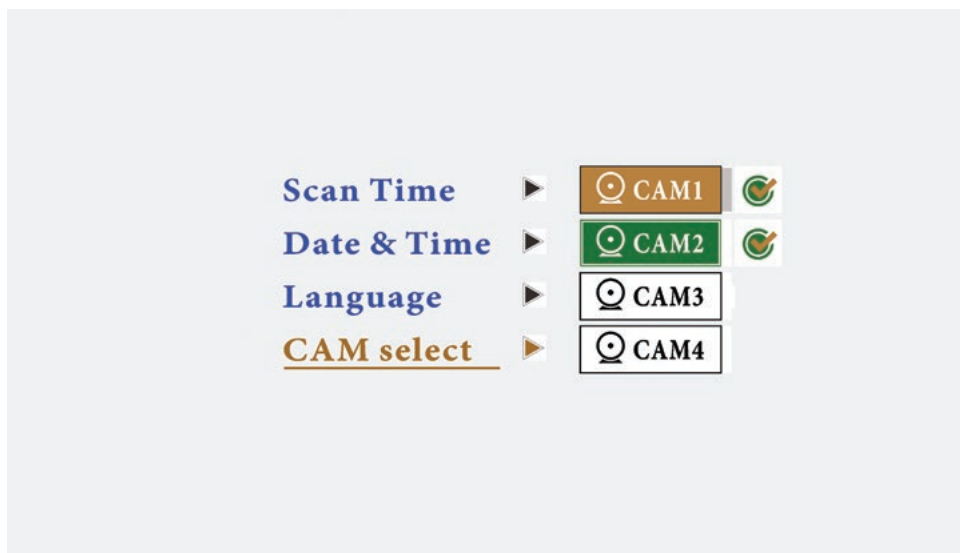
Pairing

NOTE: This monitor can pair up to 4 cameras at once.

The monitor must be told how many cameras are to be used in “Settings: , :CAM select: and select CAM1, CAM2, CAM3 or CAM4. Select in order from 1 to 4. For connection press the

“+ / -“ buttons to select camera and the “AV” button to confirm.

Select the Pairing icon on screen. Press the “AV” button and a timer will appear on screen until successfully paired. Wait until connection is successful. Screen will automatically go back to MENU screen.



ADVANCED SAFETY VISION SYSTEMS

Record

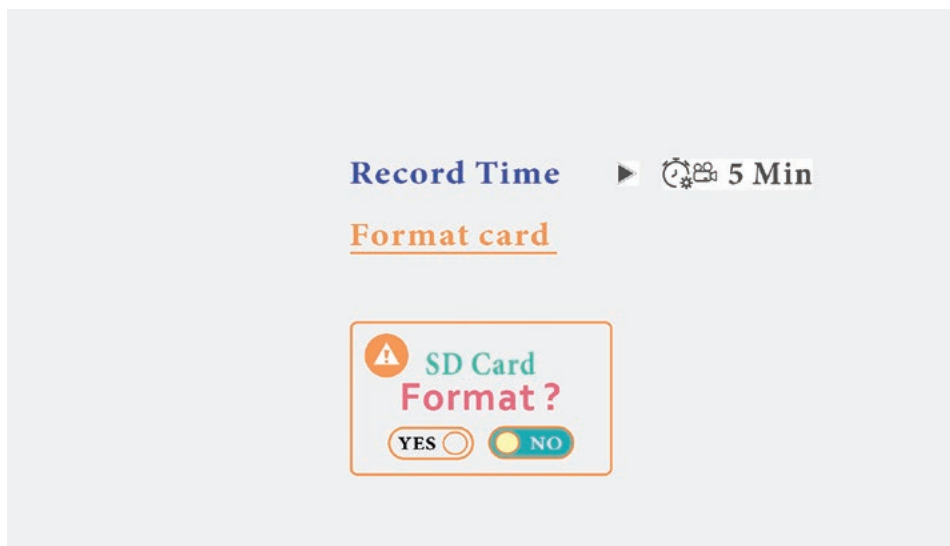
NOTE: This monitor can record footage from each of the paired cameras when used with an SD card up to 128GB Class 10 (not included).

Select the Record icon on screen. Press the “AV” button to enter. Select record time and press the “AV” button to enter. Select recording times of 1,3 and 5 minutes. Press “MENU” button to exit and recording will start.

To start and stop recording press and hold the “MENU” button for 2 seconds. A blinking red dot will appear on the top left of the camera screen when recording.

Format card

To format the inserted SD card, select the Record icon on screen. Press the “AV” button then select Format card. Press “AV” button to execute.

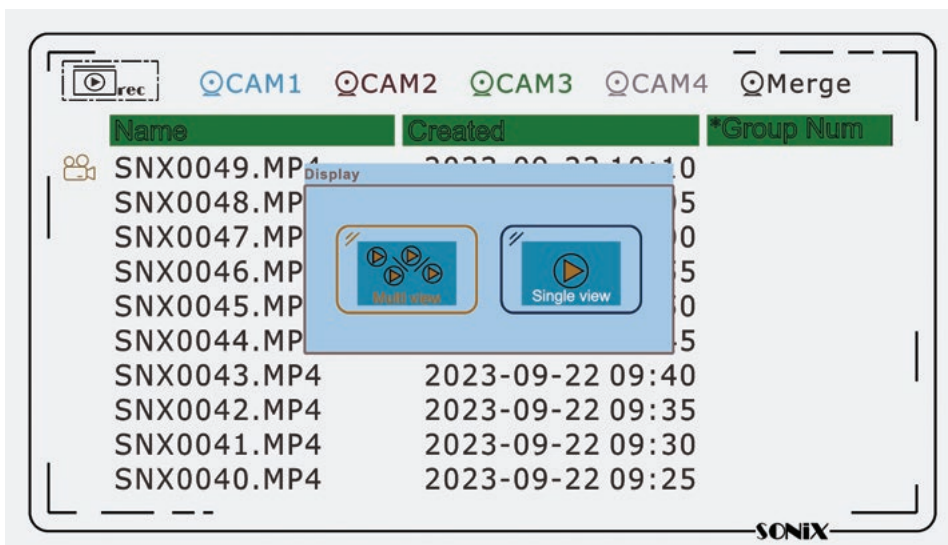
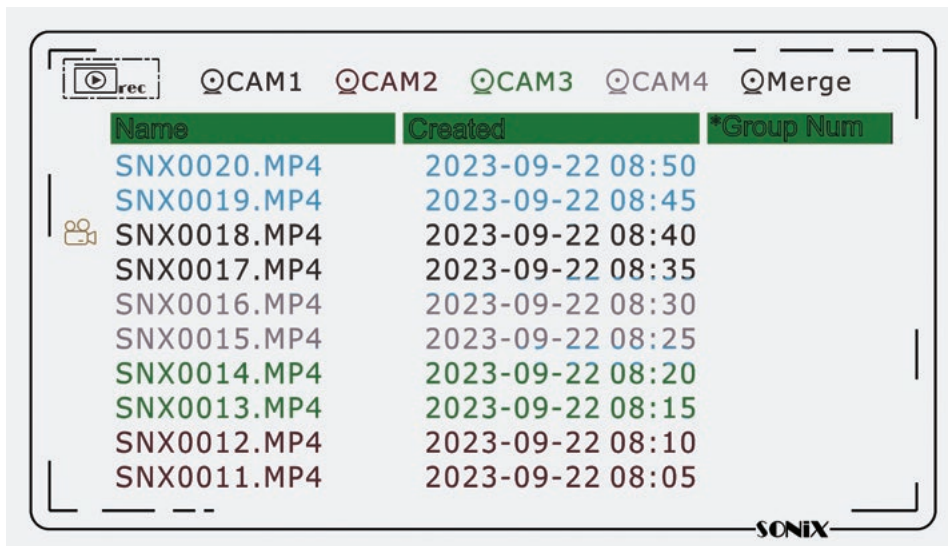


ADVANCED SAFETY VISION SYSTEMS

Playback

Select the Playback icon on screen. Press the “AV” button to enter. Press the “+ / -“ buttons to cycle through recorded video files. Press the “AV” button to open the file and playback.

Each recorded file is coloured differently depending on what camera the footage was recorded, highlighted at the top of the screen (CAM1, CAM2,CAM3,CAM4 and Merge). Merge files give you the option at playback to see a recording in single view or Multiview. This pop-up option will appear only on merge files.

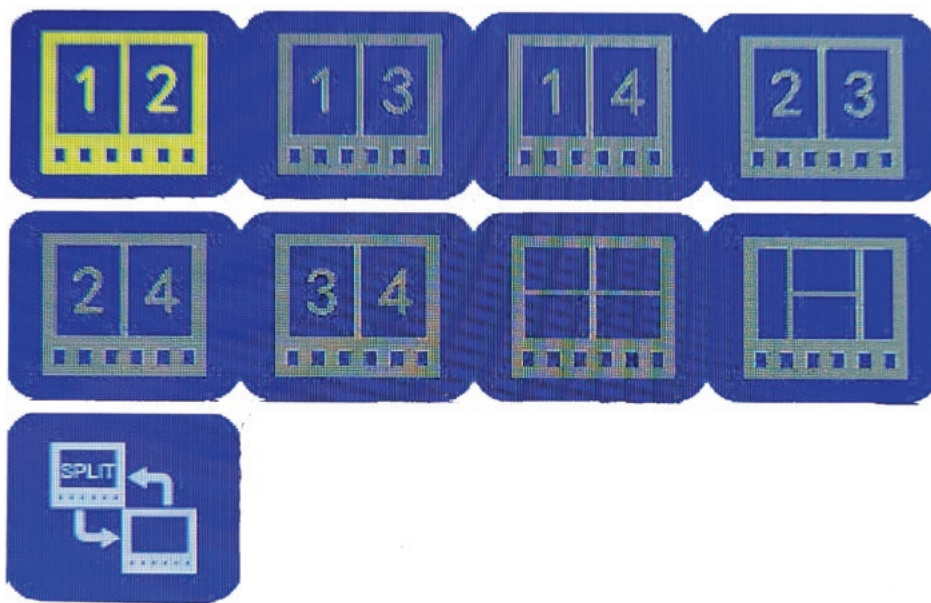


ADVANCED SAFETY **VISION SYSTEMS**

View mode

NOTE: This monitor can display different camera views depending on how many cameras are being used.

Select the View mode icon on screen. Press the “AV” button to enter, then press the “+ / -” buttons to cycle through view options as pictured below. Press the “AV” button to confirm.



NOTE: Once out of the menu, Pressing the “AV” button will cycle between split and single screen.

ADVANCED SAFETY **VISION SYSTEMS**

Setting

Select the Setting icon on screen. Press the “AV” button to enter, then press the “+ / -“ buttons to cycle through setting options.

Scan Time

Changes the amount of time the cameras are displayed on screen when in switching view mode. The scan time is, after you enter the “Auto Scan” mode, (mostly use for 4 cameras). The screen will auto switch the cameras display each for 5 seconds

Date & Time

Edit the date and time.

Language

Select preferred language.

CAM select

Press the AV button to manually turn on / off the connected cameras.

NOTE: When cameras are paired with the monitor, the symbol below will appear on the top left of the screen showing the WiFi connection, strength, and the camera number.



ADVANCED SAFETY **VISION SYSTEMS**

Specifications

- Display: 10" IPS Display
- Resolution:
 - Monitor: 1024x600
 - Camera: 1080P
- Lens Angle: 110 Degrees
- Wireless Frequency: 2.4Ghz
- Wireless Range: 200 metres
- 4x IR LEDs
- Luminance: 500 cd
- Compatibility: HD 1080P wireless cameras (AVC14)
- DVR Recording: Yes (720P)
- Wireless Inputs: 4
- Display Modes: Dual or Quad
- Monitor View: Normal / Reverse
- Guidelines: Selectable On/Off (monitor)
- Audio: On board Speaker
- Power Supply: 10-32V (Hardwired)
- Dimensions (WxHxD):
 - Monitor Only: 252 x 168 x 27mm
 - Monitor and Bracket: 268 x 210 x 35mm
 - Camera: 76 x 48 x 64mm
 - Camera and Bracket: 86 x 130 x 84mm
- Inclusions:
 - 10" Wireless monitor
 - 1 x Wireless HD 1080P reverse camera (AVC14)
 - Monitor mount
 - Sunvisor
 - 1.5m Monitor cable
 - 1.7m Power adapter (DC Jack)
 - 2.5m Camera cable

ADVANCED SAFETY VISION SYSTEMS

Technical assistance

If you need assistance setting up or using your Aerpro product now or in the future, call Aerpro Support. Australia

TEL: 03 – 8587 8898

FAX: 03 – 8587 8866 Mon-Fri 9am – 5pm AEST or EMAIL: service@tdj.com.au

If you would like to download a digital copy of this manual, or other Aerpro manuals/software, please visit the Aerpro.com website and search for the product model number for more information, accessories and products.

This manual is considered correct at time of printing but is subject to change.

For latest manuals and updates refer to the website.

Copyright © 2024 by TDJ Australia

All rights reserved. No part of this publication may be reproduced, distributed, or transmitted in any form or by any means, including photocopying, recording, copying or other electronic or mechanical methods, without the prior written permission of the author.

Note: Additional cameras and wiring may be required depending on your application, compatible products are available on our website. For more information Scan the QR code below.

AERPRO.COM



Product
information
and user
manual.