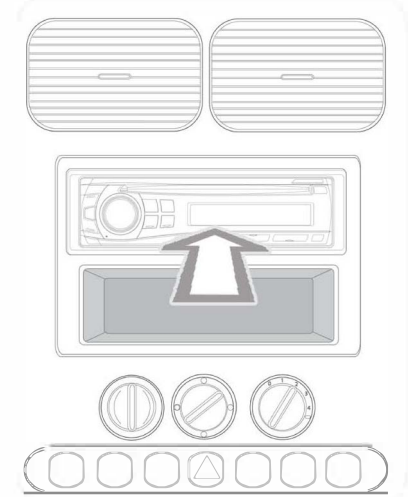
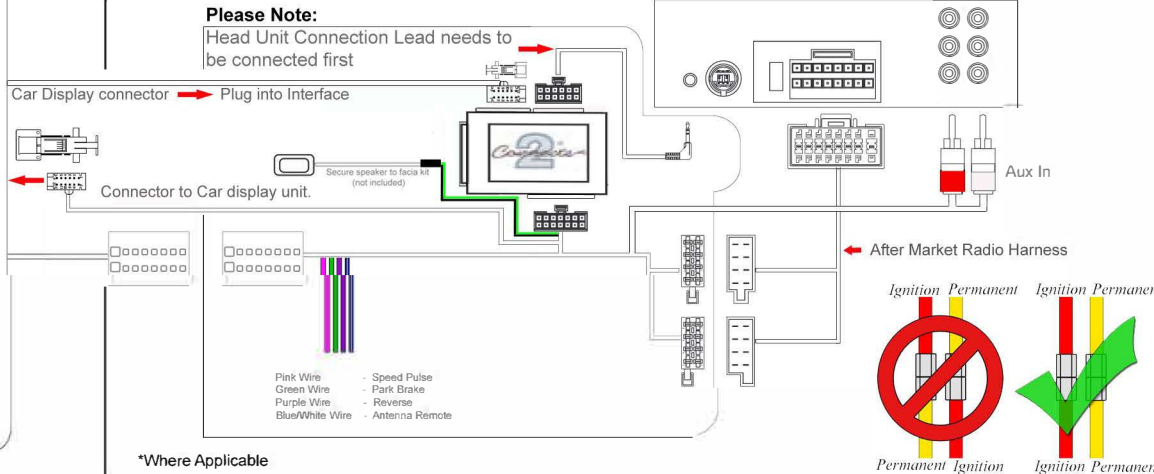
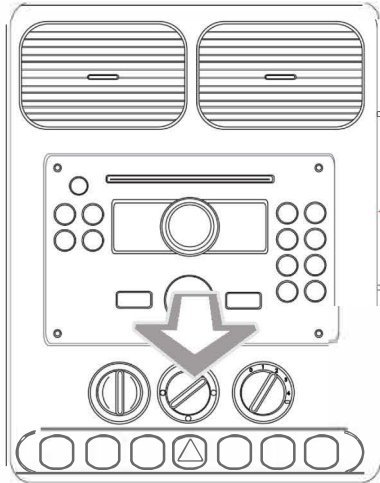


Installation Guide

Part No: CHF07C

Ford Can-Bus Steering Wheel Control Interface



Vehicle Compatibility:

For Vehicle Compatibility visit <https://aerpro.com/CHF07C>

Steering Wheel Control Functions



Seek/Track-

Volume +



Seek/Track+

Mute

Volume -

Installation Guide

Part No: CHF07C

Ford Can-Bus Steering Wheel Control Interface

Aerpro®
First Choice

powered by

Connects²®

User guide to change the time and date



- 1 - Speech Button
- 2 - Select Right
- 3 - Select up
- 4 - Select left
- 5 - Select down

Single Press (**Button 1**) switches display on
Press & Hold **Speech Button (button 1)** for 2 seconds
this will enable menu mode option.

Press (**Buttons 3/5**) Up/down till clock setting is selected.
Then press (**Button 1**) to confirm.

To Adjust the clock use (**Buttons 3/5**),select the next
option use (**Buttons 2/4**).and then press (**Button 1**) to confirm.

Press (**Buttons 3/5**) Up/down till set date is selected
Then press (**Button 1**), to confirm.

To adjust the date use (**Buttons 3/5**) And to select the next
option use (**Buttons 2/4**) .press (**Button 1**) to confirm.

When the time and date has been set,
Press the **speech button(Button 1)** once to confirm.

The menu option will time out after 15-20 seconds.

